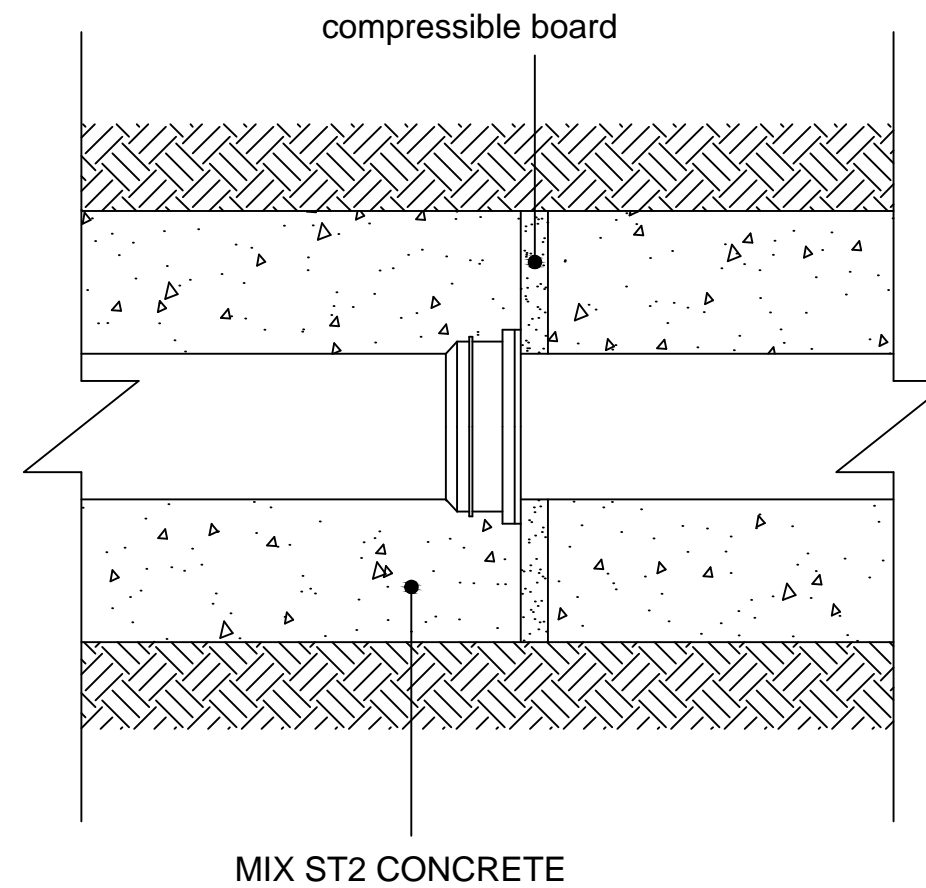
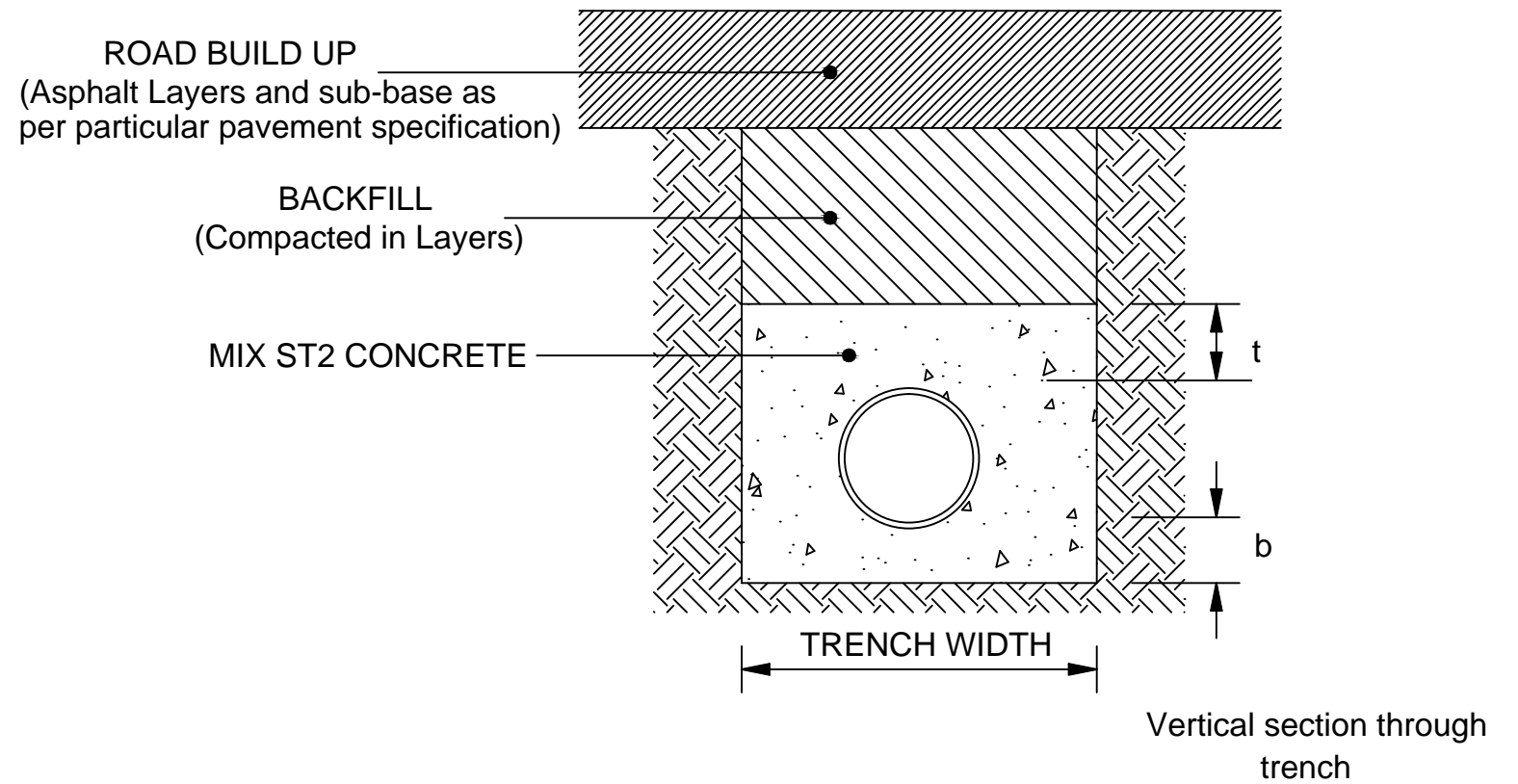


TRENCH WIDTHS AND DIMENSIONS FOR FOUL AND SURFACE WATER DRAINS				
PIPE DIA. mm	Do	b	t	TRENCH WIDTH
100	150	100	100	600
150	210	100	100	700
225	300	120	100	750
300	400	120	150	850
375	480	150	150	950
450	560	150	150	1000
525	650	150	150	1100
600	735	150	150	1200
675	850	200	200	1350
750	910	200	200	1450
900	1080	200	200	1650

NOTES:

1. ALL DIMENSIONS ARE IN MILLIMETRES.
2. THIS DRAWING IS TO BE READ IN CONJUNCTION WITH APPENDIX 5/1.
3. Do = PIPE OUTER DIAMETER



Compressible board detail

Rev :	Remarks :	Drawn :	Date :
-	Issued drawing.	E.C.F.	July 2009
A	Change Logo to TM	M.Borg	March 2010
B	Updated vertical section	R.A	August 2017