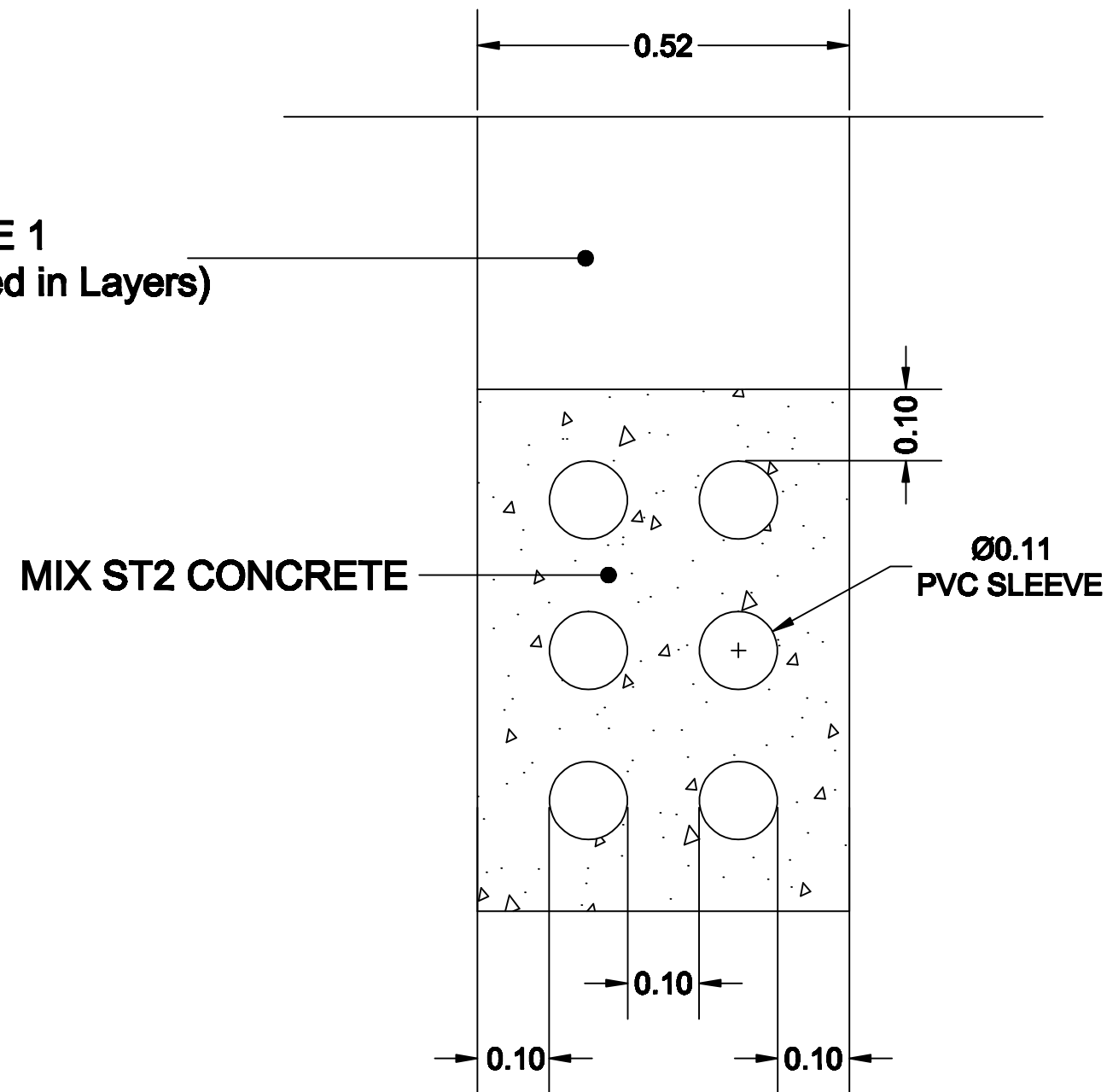


**TYPE 1
(Compacted in Layers)**



NOTES:

1. ALL DIMENSIONS ARE IN METRES.
2. THIS DRAWING IS NOT TO SCALE

Rev :	Remarks :	Drawn :	Date :
-	Issued drawing.	E.C.F.	July 2009
A	Change Logo to TM	M.Borg	March 2010