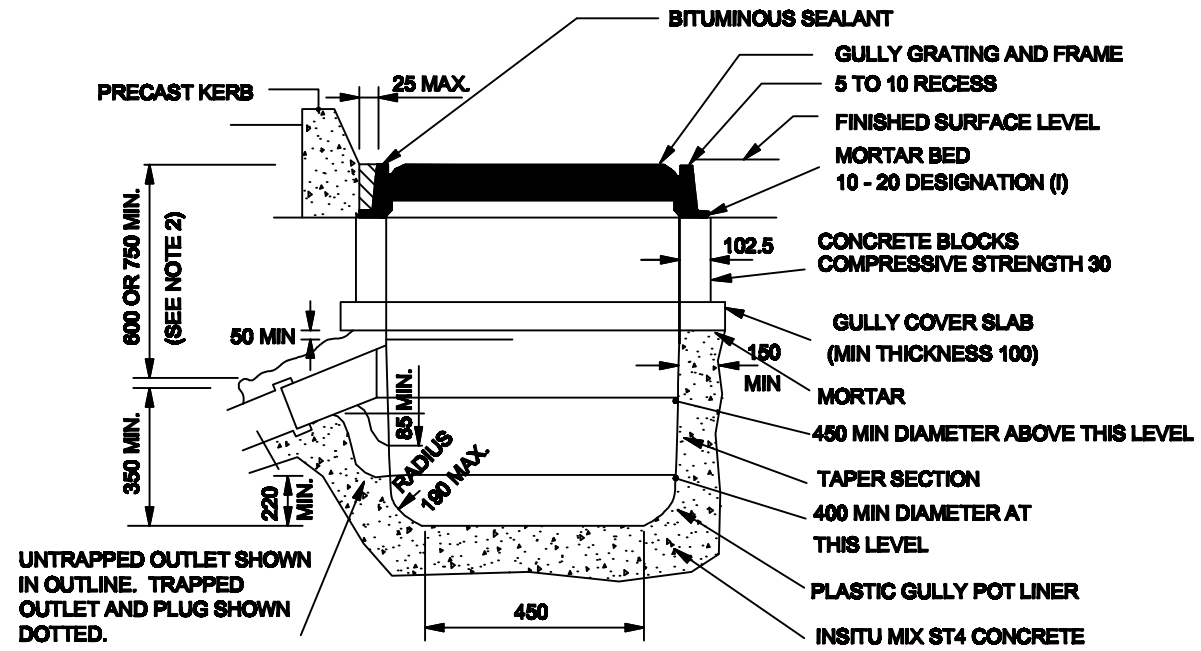
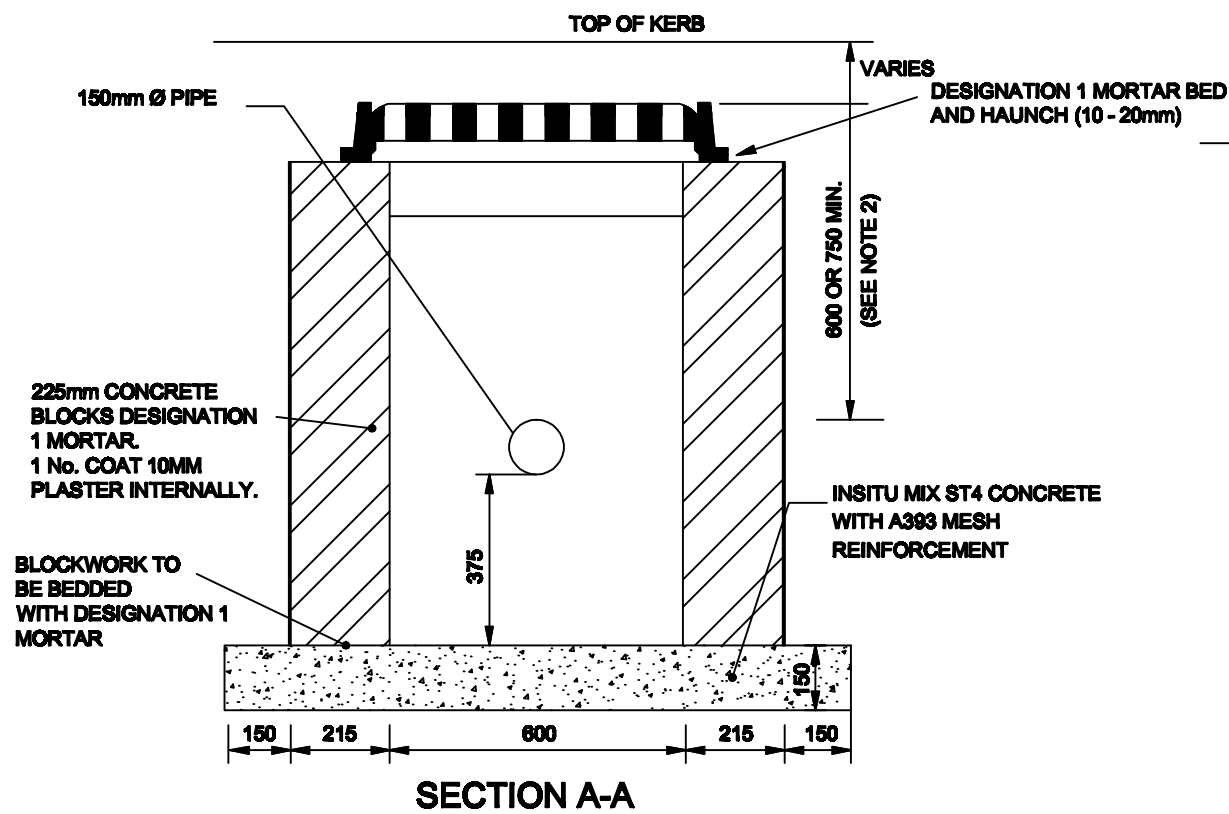


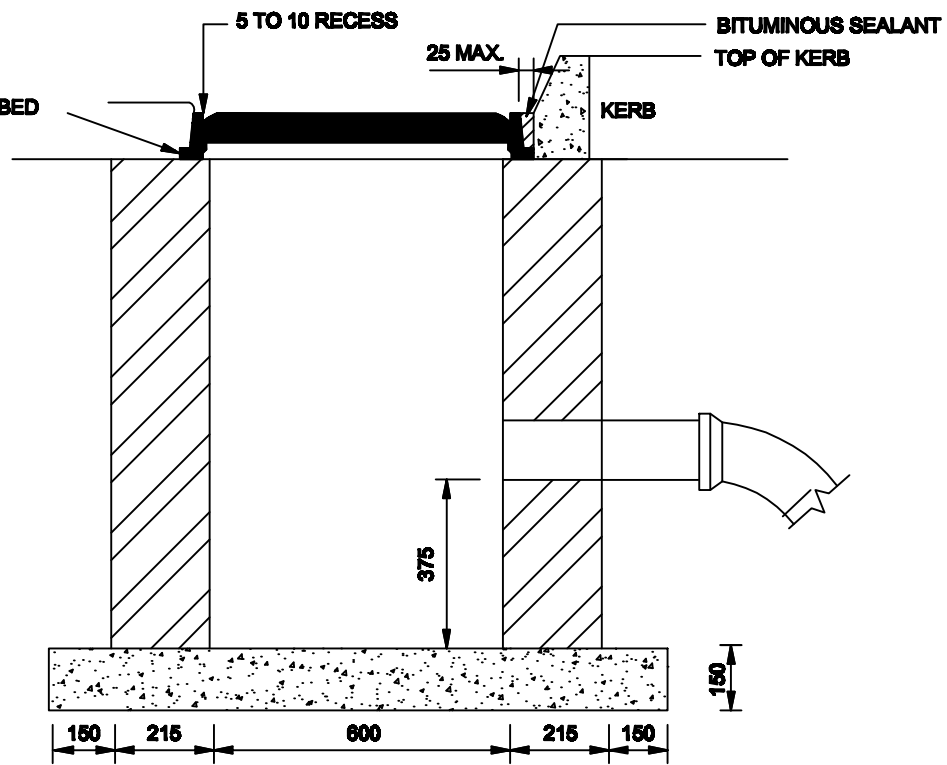
BLOCKWORK GULLY



IN SITU CONCRETE GULLY



SECTION A-A



SECTION B-B

NOTES

1. ALL DIMENSIONS ARE IN MILLIMETERS.
2. THE MINIMUM DEPTH FROM THE TOP OF THE GRATING TO THE TOP OF THE GULLY OUTLET IS TO BE 750 WHEN THE CONNECTING PIPE IS UNDER A CARRIAGE WAY OR A HARD SHOULDER AND 600 ELSEWHERE.
3. WHEN AN INSITU CAST GULLY HAS A TRAP, THE STOPPERS SHALL COMPLY WITH THE REQUIREMENTS OF BS 6911 : PART 2.

Rev :	Remarks :	Drawn :	Date :	Title :
-	Issued drawing.	E.C.F.	July 2009	IN-SITU CONCRETE AND BLOCKWORK GULLIES - 600mm x 600mm
A	Change Logo to TM	M.Borg	March 2010	