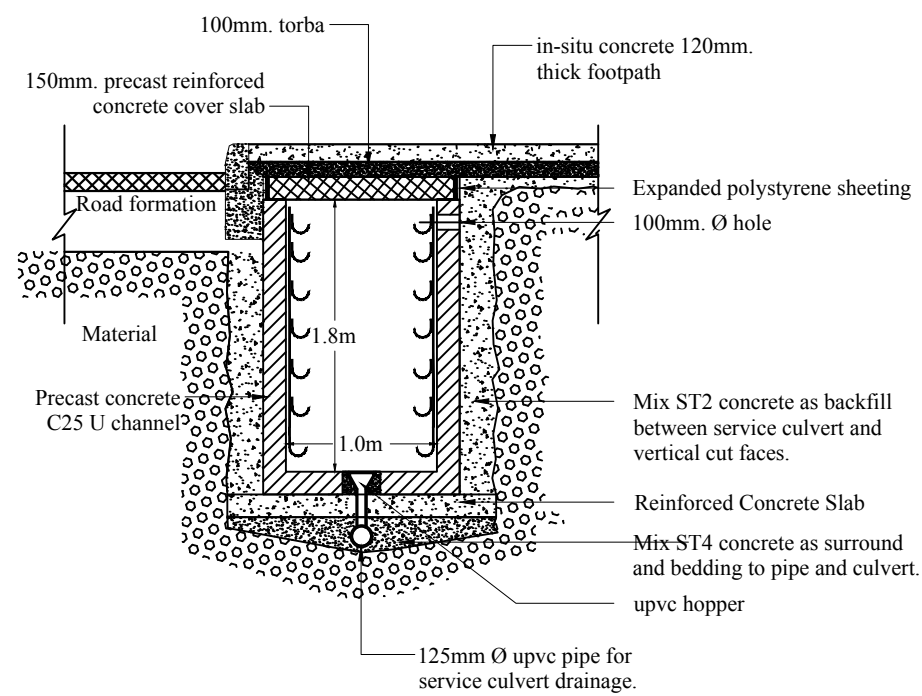
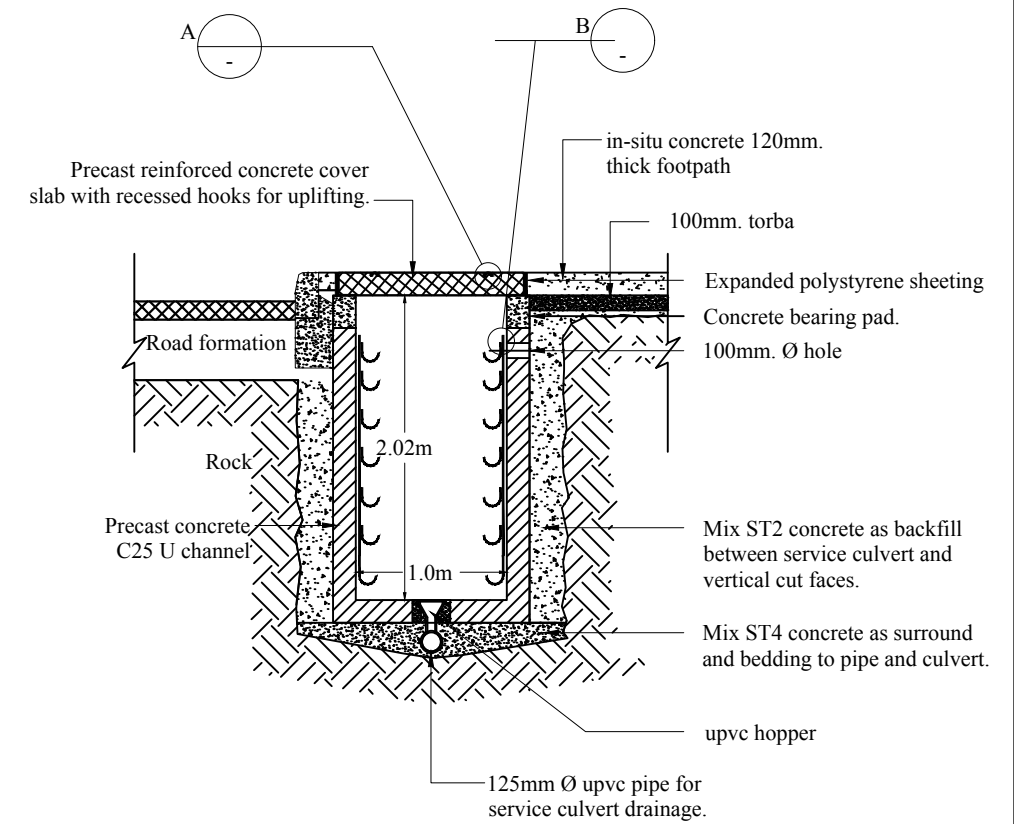


Detail of Service Culvert in Rock



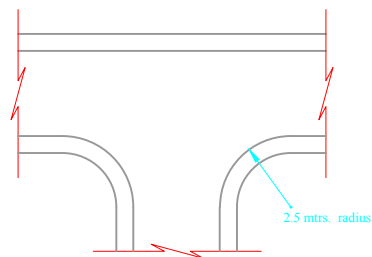
Detail of Service Culvert not in Rock



Detail of Service Culvert at Cable Drawing Manhole 1m x 6m - Every 75 mtrs.

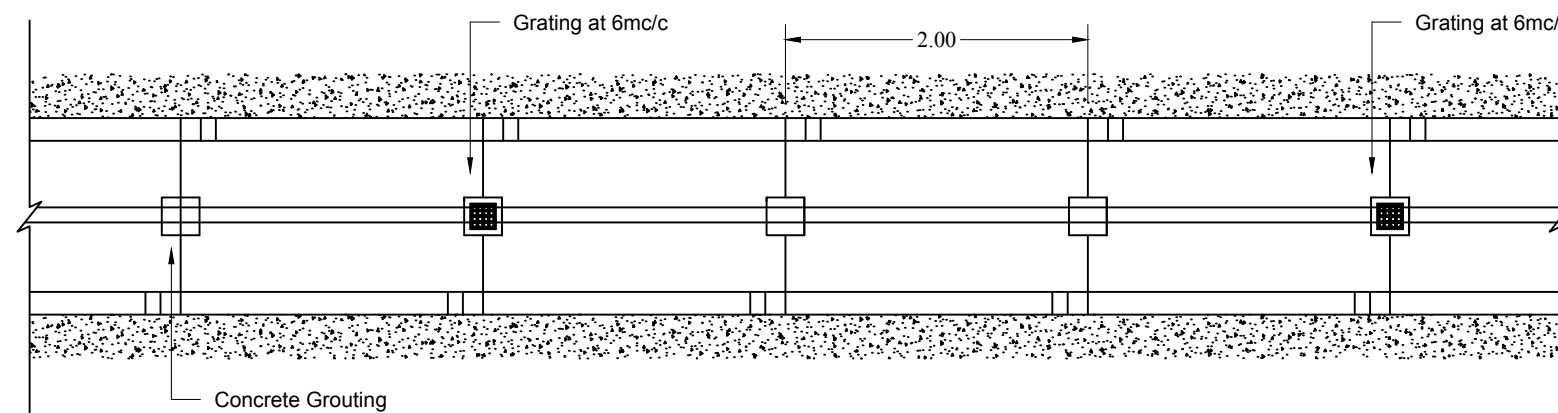
Note: -

1. T-Culvert junctions to have a radius of 2.5 meters.

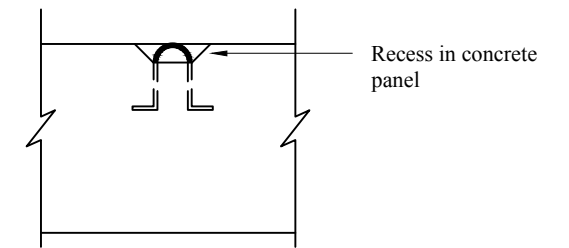


2. 1 mtr. x 1 mtr opening every 25mtrs. length of walkthrough culvert.

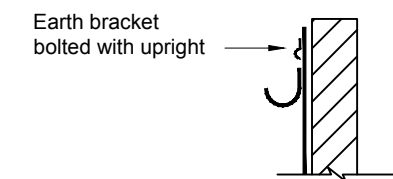
3. 6 mtr. x 1 mtr. opening every 75mtrs. length of walkthrough culvert.



Part Plan of Service Culvert in Rock / Material



Detail at cover slab lifting hook



Detail for earth bracket

Rev :	Remarks :	Drawn :	Date :	Title :
-	Issued drawing.		May 2007	
A	Change Logo to TM	M.Borg	March 2010	
B	Earth bracket added	G. Grech	March 2011	
C	Note added	D. Micallef	Sept' 2018	