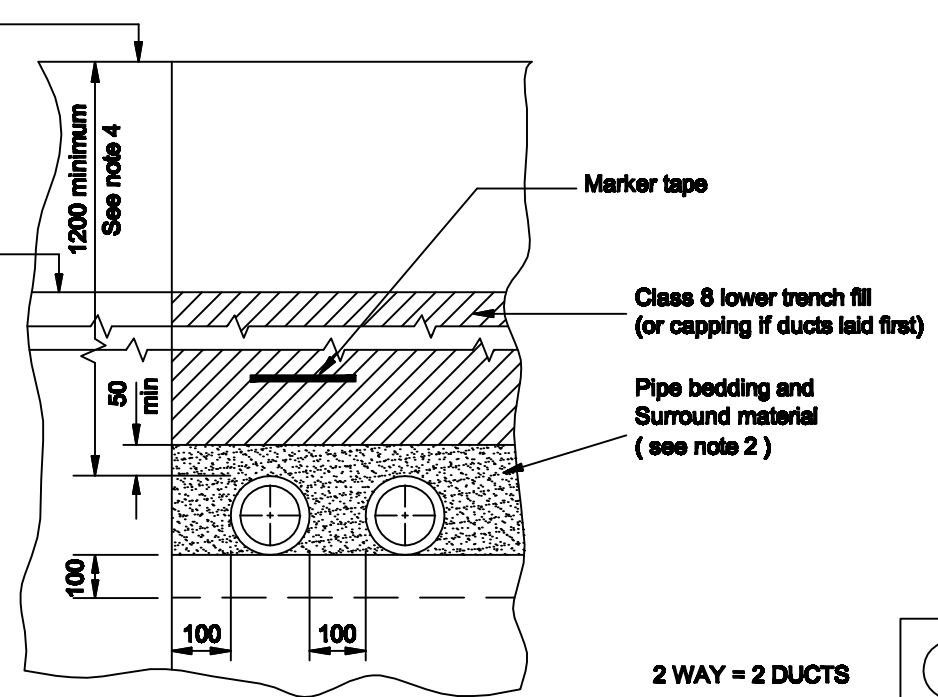


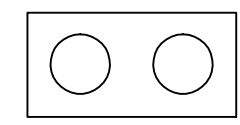
TYPE A
SHALLOW DUCTS (750 to 1200 cover)



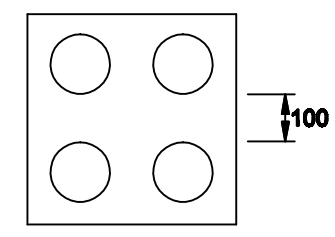
TYPE B
DEEP DUCTS (over 1200 cover)

- NOTES**
1. ALL DIMENSIONS ARE IN MILLIMETERS
 2. Pipe bedding and surround material shall be sand complying with table 5/4 of the S.R.W.
 3. Class 8 lower trench fill shall comply with Table 6/1 of the S.H.W.
 4. Alternatively ducts shall be laid to limits described in Appendix 5/2, 14/4 or 15/1 or shown on the Drawings.
 5. Mandrel detail is shown on RCD/500/52

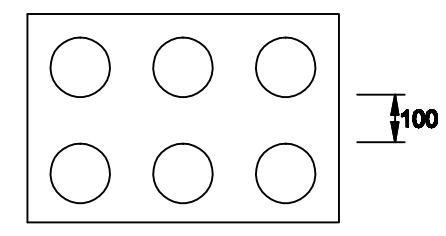
2 WAY = 2 DUCTS



4 WAY = 4 DUCTS

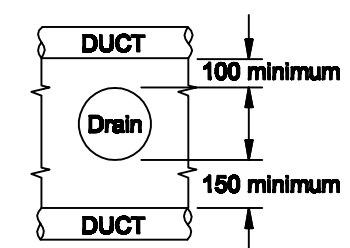


6 WAY = 6 DUCTS



LAYOUT OF DUCTS

Duct Material	Cover Material	X	Y
UPVC	Mix ST2 concrete	75	150
Ductile Iron	Mix ST2 Concrete or or sub-base material	as above 150	0



MINIMUM CLEARANCE BETWEEN DUCT AND DRAIN

Rev :	Remarks :	Drawn :	Date :	Title :
-	Issued drawing.		March 2003	