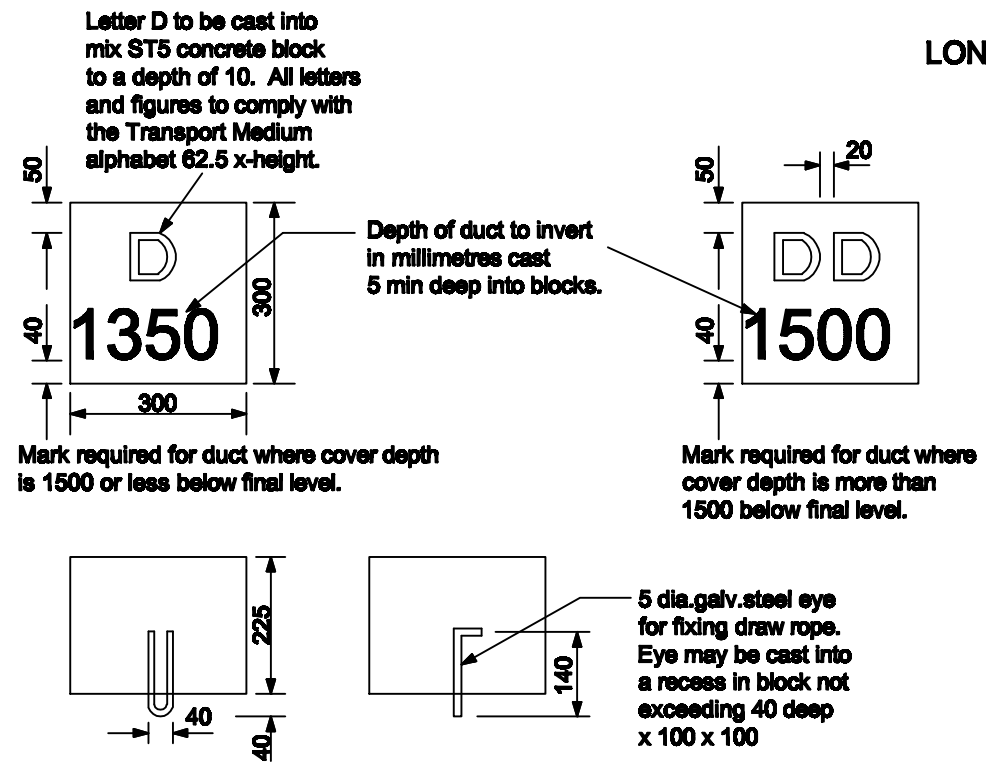


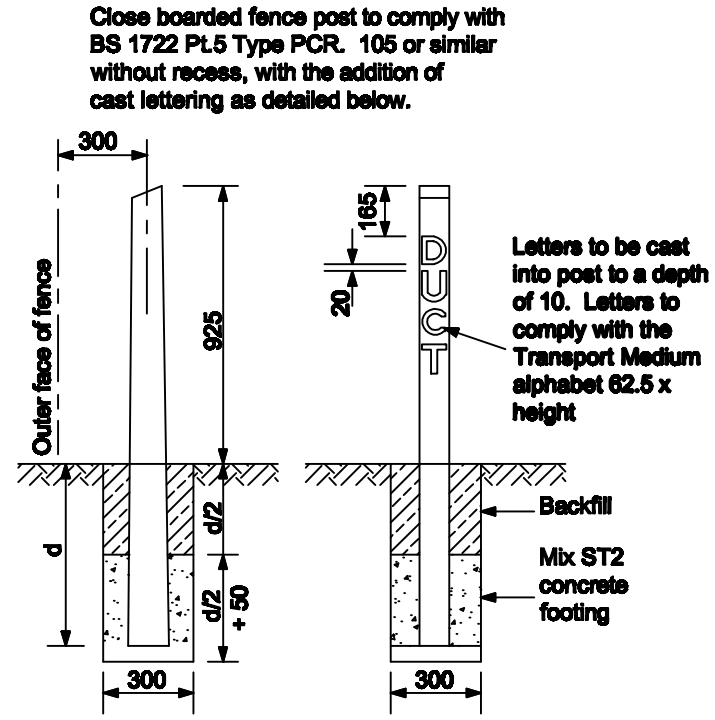
**LONGITUDINAL SECTIONS**

- NOTES**
1. ALL DIMENSIONS ARE IN MILLIMETRES.
  2. Ducts to be a minimum of 90mm nominal diameter.
  3. For details of location of ducts see the layout plans.
  4. For details of the permitted forms of construction for ducts see Drawing No. 12.
  5. Ducts are to be laid straight except when they have to curve around obstacles and at the end of ducts. No change of direction to be greater than 1 in 30. The mandrel shown on Drawing No. 12 shall be drawn through the completed duct.
  6. All ducts shall extend a minimum of 300mm beyond the pavement construction and where possible the drainage pipes.
  7. Ducts and markers shall not be sited under safety fence posts.
  8. Where described in Appendix 5/2, 14/4 or 15/1 marker block terminals shall be replaced with duct chambers.



**DETAIL OF MARKER BLOCK**

To be positioned over duct in verges and on centre line in central reserve. Slack in draw rope (minimum 1m) to be coiled under block.



**DUCT LOCATION POST**  
To be installed on C of duct group

Rev :	Remarks :	Drawn :	Date :	Title :
-	Issued drawing.		April 2003	LONGITUDINAL SECTIONS AND DETAILS OF TRANSVERSE DUCTS
A	Change Logo to TM	M.Borg	March 2010	