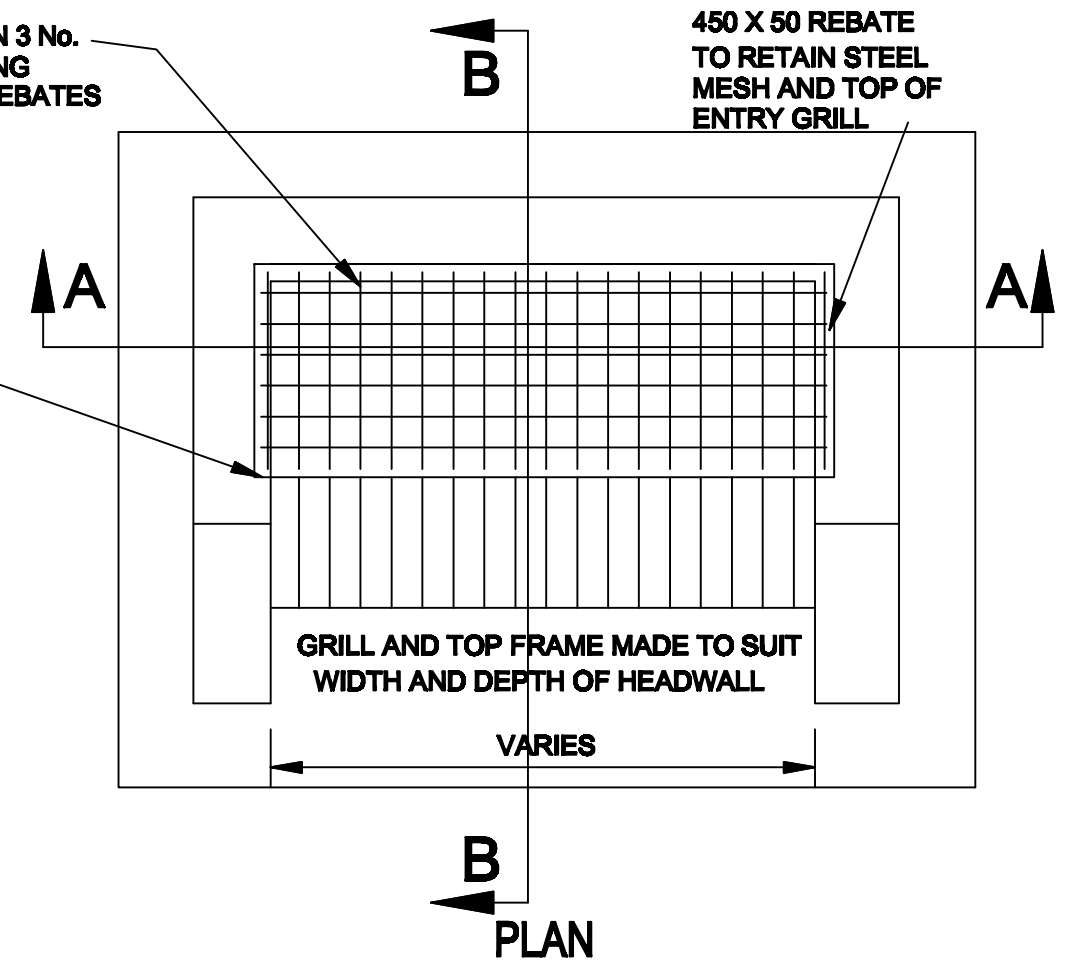
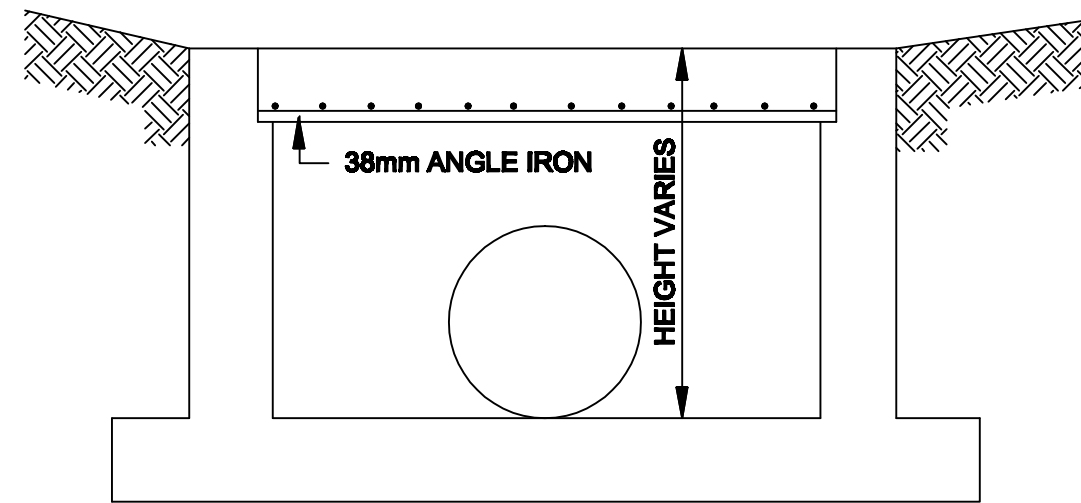
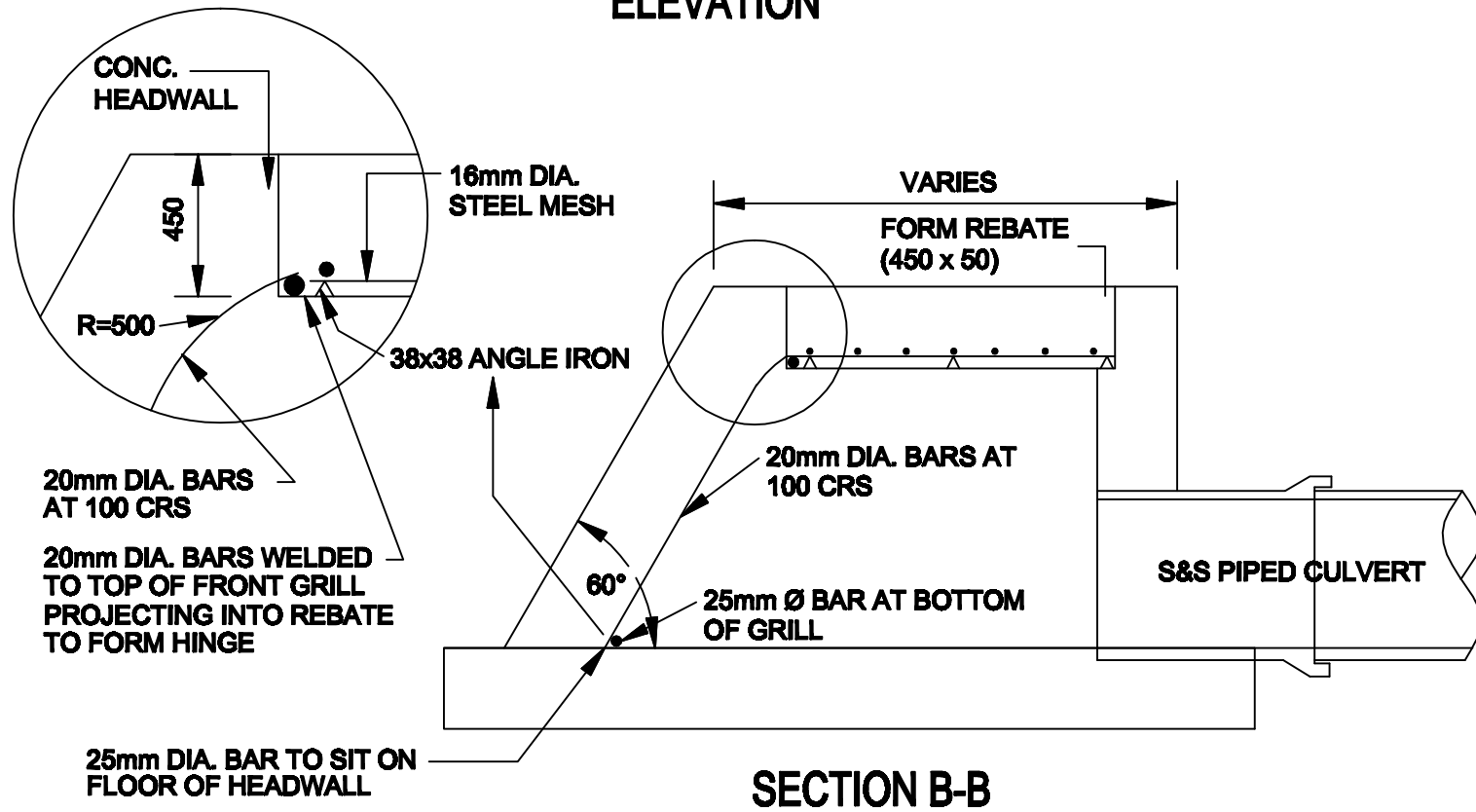


ELEVATION



SECTION A-A



NOTES:

1. ALL DIMENSIONS ARE IN MILLIMETERS.
2. ALL EXPOSED STEEL TO BE GALVANISED TO BS 729.