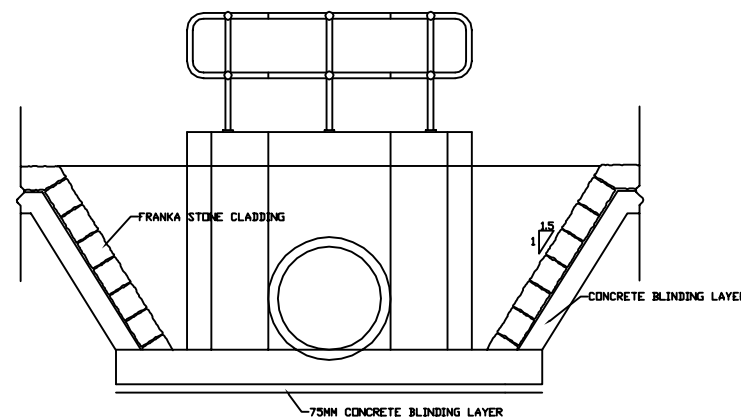


LAYOUT OF RETAINING WALL AT HEADWALL



SECTION B-B

Rev :	Remarks :	Drawn :	Date :
-	Issued drawing.		March 2003
A	Change Logo to TM	M.Borg	March 2010