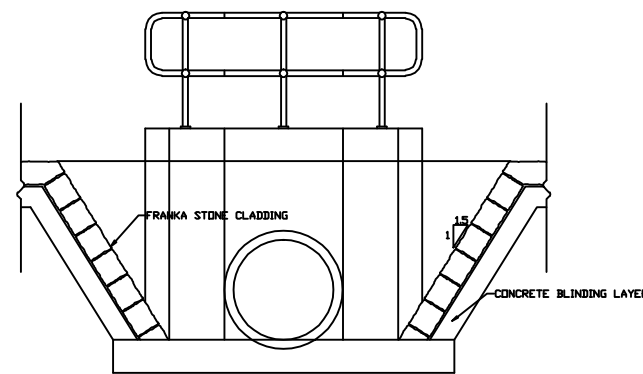


LAYOUT OF RETAINING WALL AT HEADWALL



SECTION B-B

Rev :	Remarks :	Drawn :	Date :	Title :
A	Issued drawing.		April 2003	
B	Change Logo to TM	E. Farrugia	March 2014	