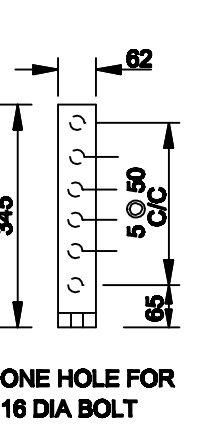
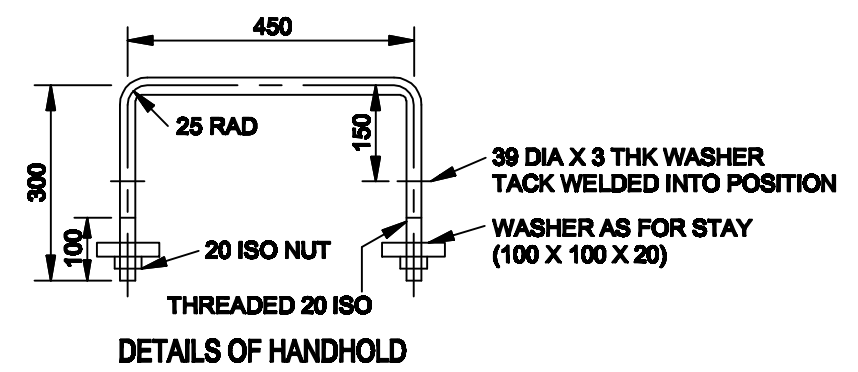
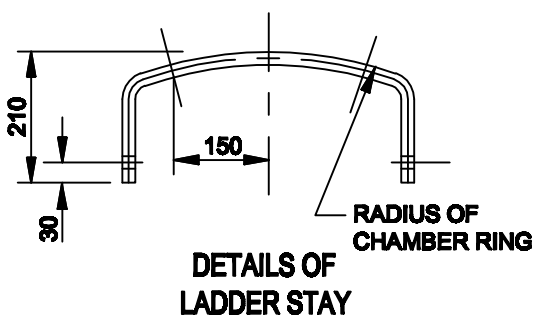
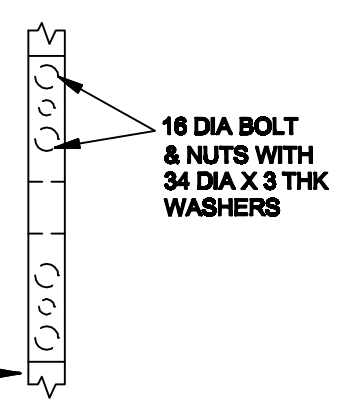
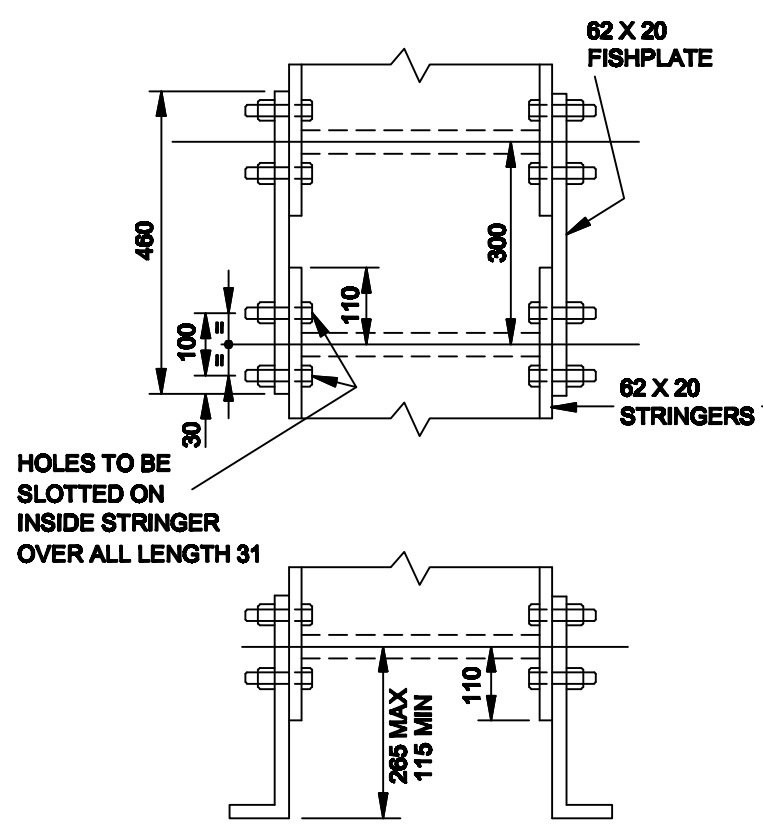
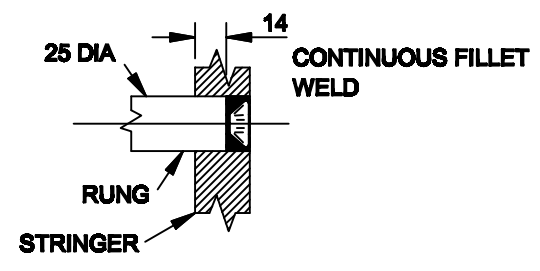


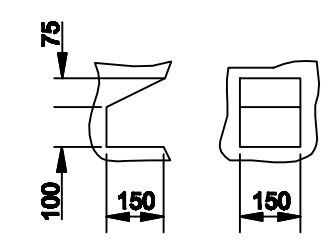
DETAILS OF HOOK & EYE FOR SAFETY CHAIN



ADJUSTABLE LADDER FOOT



DETAIL OF FIXING RUNGS TO STRINGERS



DETAIL OF TOE HOLD

- NOTES**
1. ALL DIMENSIONS ARE IN MILLIMETERS.
  2. ALL FITTINGS TO BE FABRICATED FROM STEEL TO EN 10095, EN 10250-4, EN 10085, (BSI)PD 970, EN 10087, EN 10083-1 EN 10084 AND TO BE PROTECTED BY HOT DIP GALVANIZING.
  3. THREADED COMPONENTS TO BE GALVANIZED.
  4. ALL WELDS ARE TO BE 6 mm FILLET WELDS.
  5. LADDER MAY BE FABRICATED IN ONE LENGTH OR IN MULTIPLE LENGTHS AND BE JOINTED AS SHOWN.
  6. CHAIN HOOK & EYE TO BE SUPPLIED WITH 100 LONG X 10 THK CLOSED LINK CHAIN.

Rev :	Remarks :	Drawn :	Date :	Title :
-	Issued drawing.		April 2003	
A	Change Logo to TM	J. Saliba	June 2010	
B	Update to Relevant Standards	J. Saliba	June 2010	