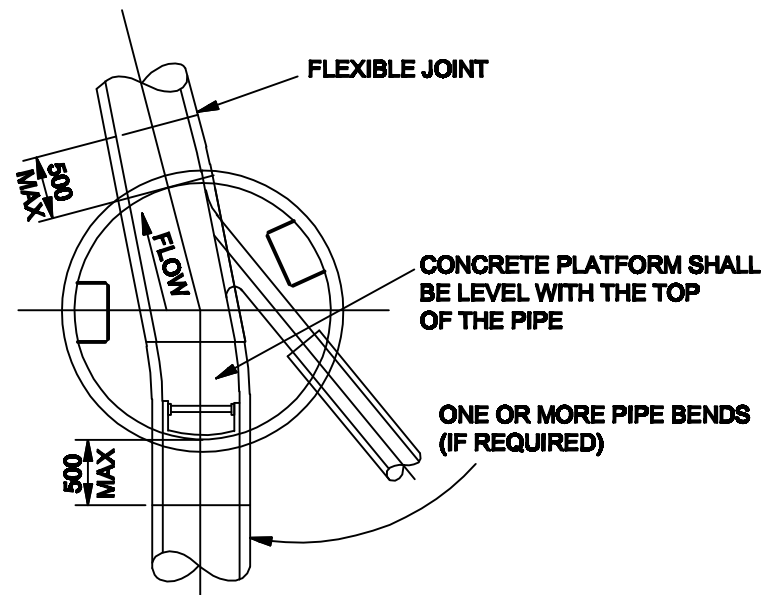
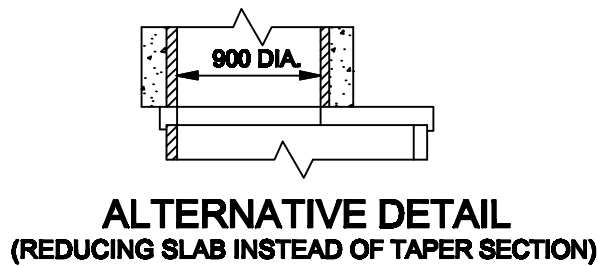


INTEGRAL IN SITU MIX ST4 CONCRETE BASE WALLS BENCHING & BASE SLAB WITH PRECAST CHANNEL AS SHOWN OR IN SITU FORMED INVERT AS ALTERNATIVE, WALLS TO EXTEND 50 BEYOND OUTER FACE OF CHAMBER RING.

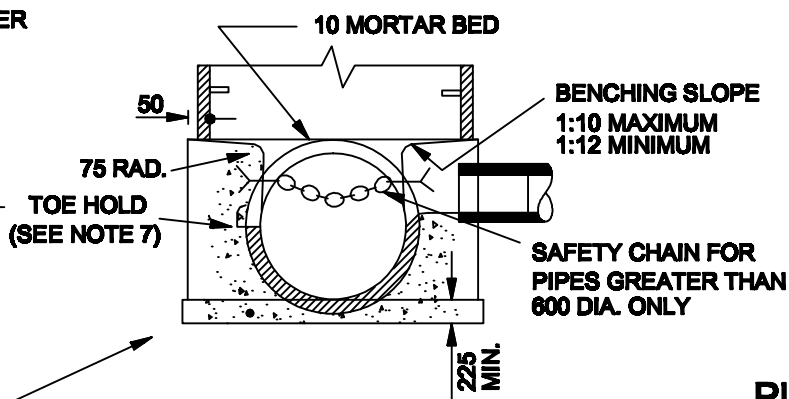
DESIGNATION 1 MORTAR BED (10 MIN. 20 MAX.) AND HAUNCH TO FRAME TO CLAUSE 2404



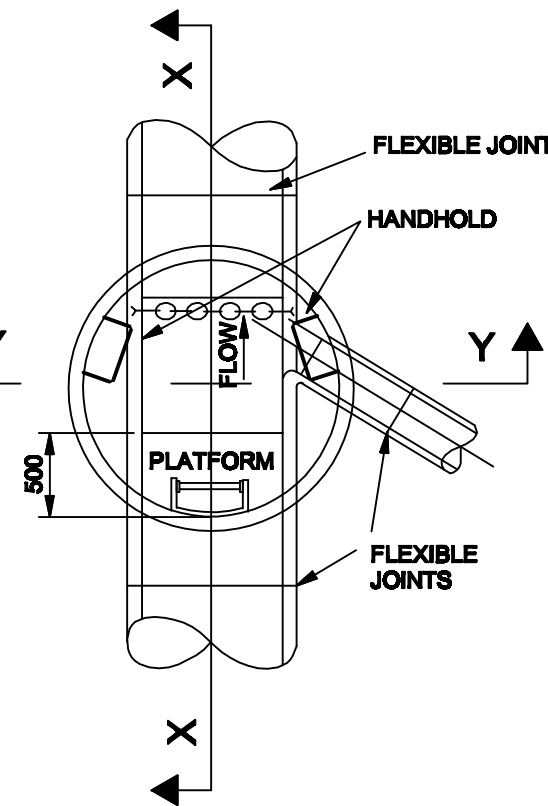
PLAN ON CURVED INVERT (WITHOUT COVER SLAB)



ALTERNATIVE DETAIL (REDUCING SLAB INSTEAD OF TAPER SECTION)



SECTION Y-Y



PLAN ON STRAIGHT INVERT (WITHOUT COVER SLAB)

NOTES

1. ALL DIMENSIONS ARE IN MILLIMETRES.
2. CHAMBER WALLS AND COVER SLAB TO BE CONSTRUCTED IN PRECAST CONCRETE TO BS 5911 : PART 200.
3. FOR INVERT DETAILS, NUMBER OF BRANCHES, DETAILS OF PIPES AND TYPE OF COVER AND FRAME SEE THE DRAINAGE SCHEDULE.
4. MORTAR TO BE DESIGNATION (1) TO SERIES 2400.
5. SAFETY CHAIN REQUIRED WHERE PIPE IS GREATER THAN 600 DIAMETER, SEE RCD/500/11 FOR DETAILS OF SAFETY CHAIN AND HANDHOLDS.
6. TOE HOLD REQUIRED WHERE PIPE IS 525 DIAMETER OR GREATER. SEE RCD/500/11 FOR DETAILS.
7. MANHOLE OPENING TO BE FURTHEST FROM THE NEAREST CARRIAGE WAY AND MANHOLE STEPS POSITIONED TO ALLOW VIEWING OF ONCOMING TRAFFIC.
8. CHAMBERS ON FOUL SEWERS TO BE PLASTERED.

Rev :	Remarks :	Drawn :	Date :	Title :
A	Issued drawing.	E. Farrugia	April 2003	MANHOLE TYPE E (PRECAST CONCRETE MANHOLE)
B	Change Logo to TM			