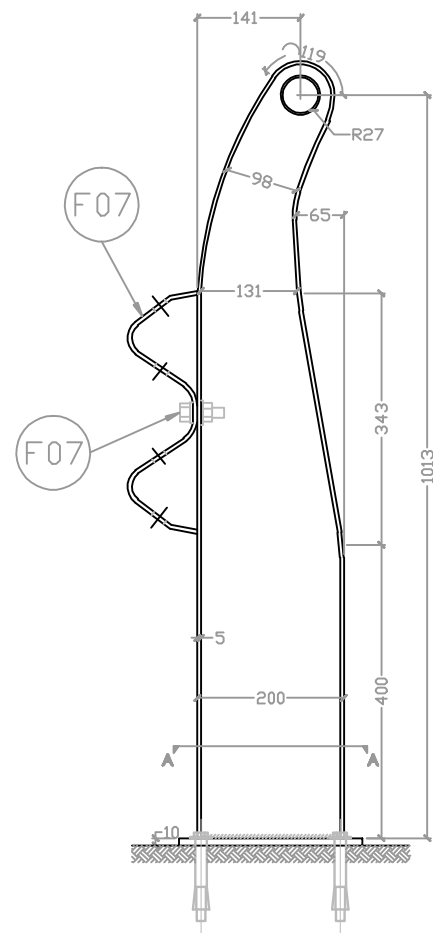
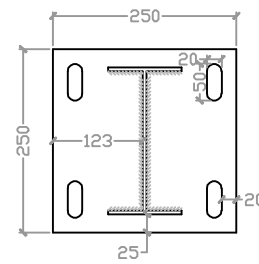


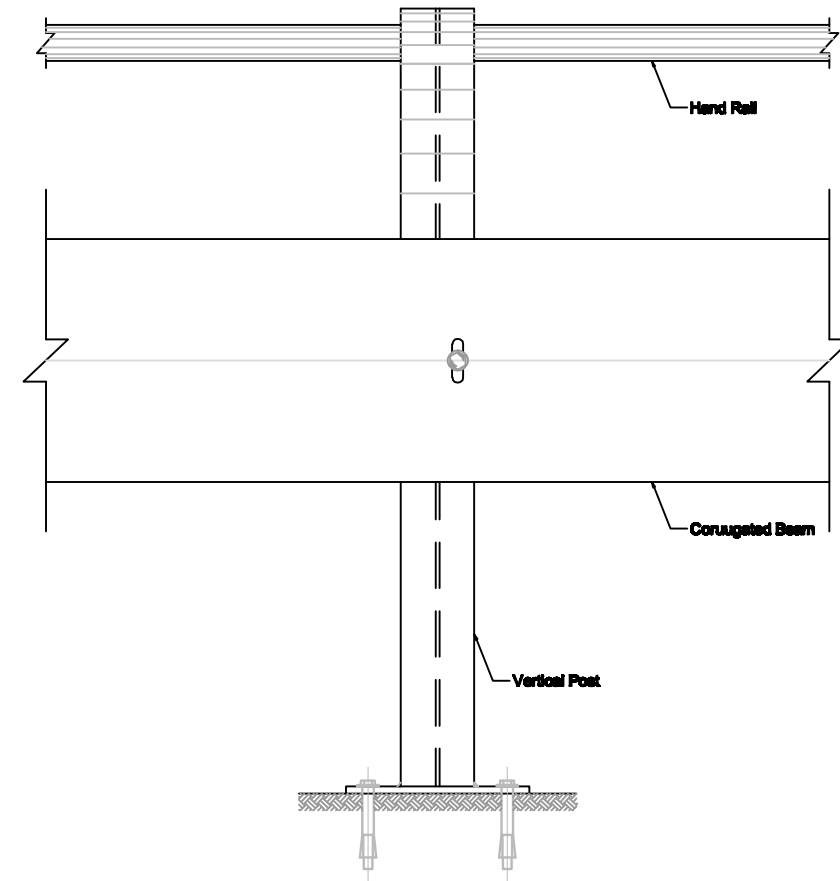
FRONT



SIDE ELEVATION



SECTION A - A



FRONT ELEVATION OF ASSEMBLY

Rev :	Remarks :	Drawn :	Date :	Title :
A	Issued drawing.	E. Farrugia	March 2003	CRASH BARRIER WITH HANDRAIL
B	Change of Logo to TM	E. Farrugia	March 2014	