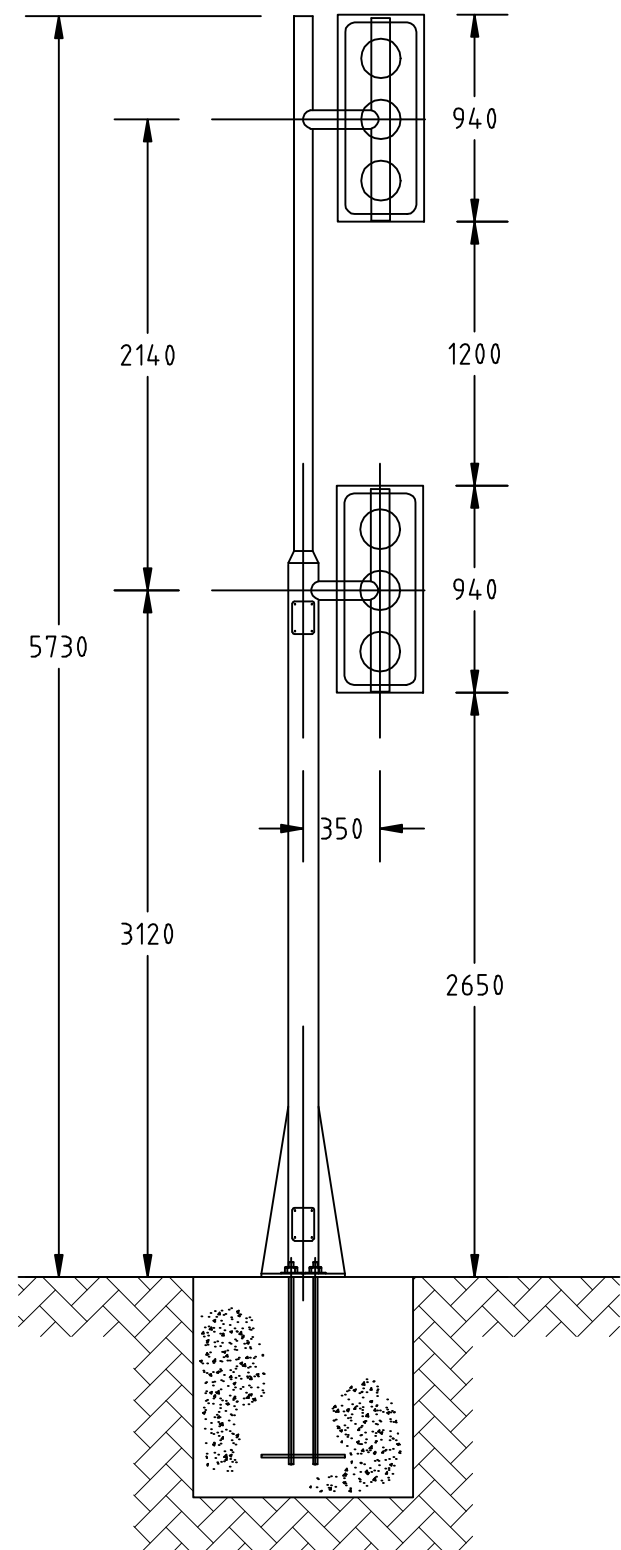
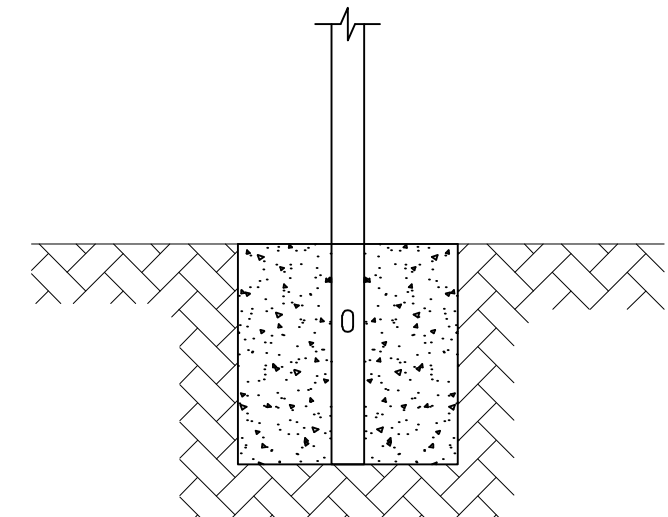


**Single-Column Assembly
Base A**



**Multi-Column Assembly
Base A**



Base B

Rev :	Remarks :
-	Issued drawing.
A	Change Logo to TM

Drawn :	Date :
M.Borg	March 2000
	March 2010