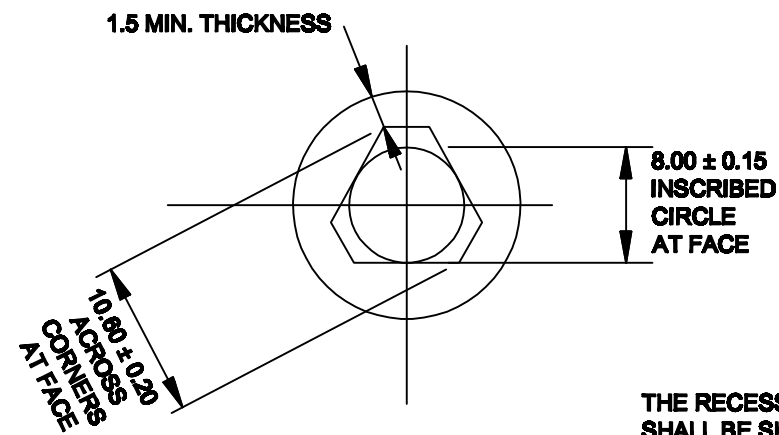
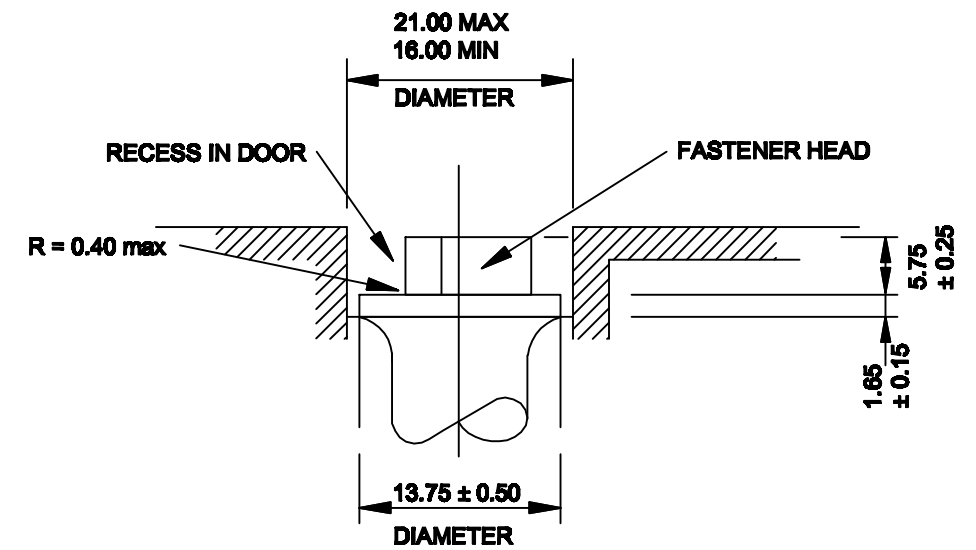


- NOTES: 1. ALL DIMENSIONS ARE IN MILLIMETERS.
 2. THE KEY SHALL BE CAPABLE OF RELEASING WITHOUT DAMAGE ALL TRI-HEAD FASTENERS AS DIMENSIONED ON THIS DRAWING.

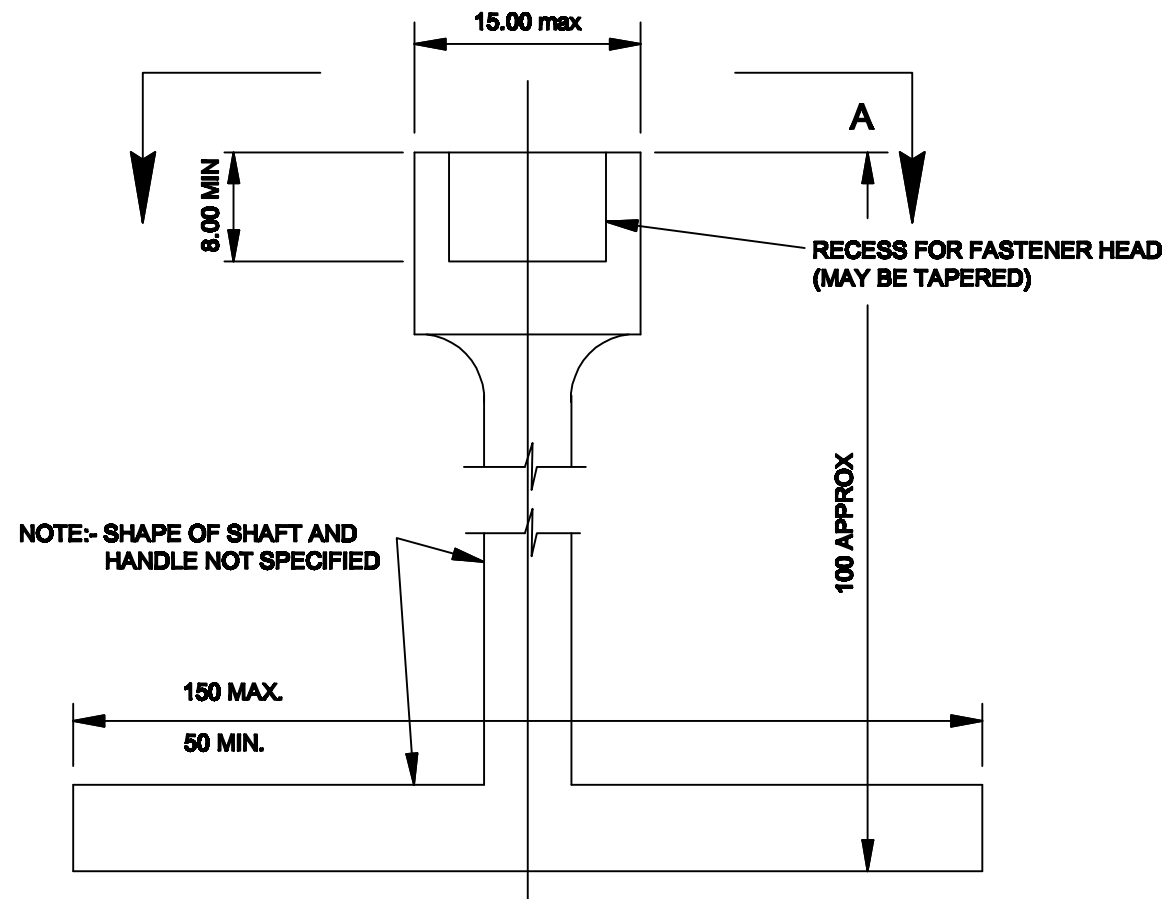


PLAN ON A-A

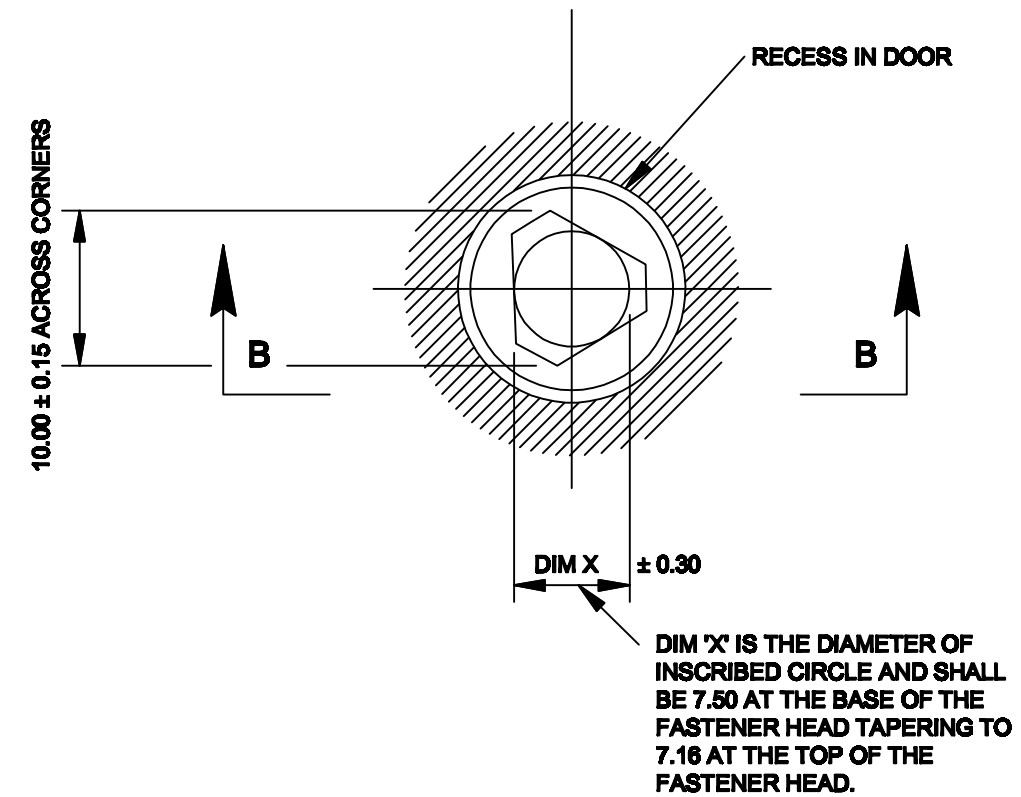
THE RECESS FOR FASTENER HEAD SHALL BE SHAPED AND DIMENSIONED TO SUIT THE FASTENER HEAD AS DIMENSIONED ON THIS DRAWING.



SECTION B-B



ELEVATION SHOWING KEY



PLAN SHOWING FASTENER HEAD IN DOOR RECESS

Rev :	Remarks :	Drawn :	Date :	Title :
-	Issued drawing.		March 2000	
A	Change Logo to TM	M.Borg	March 2010	