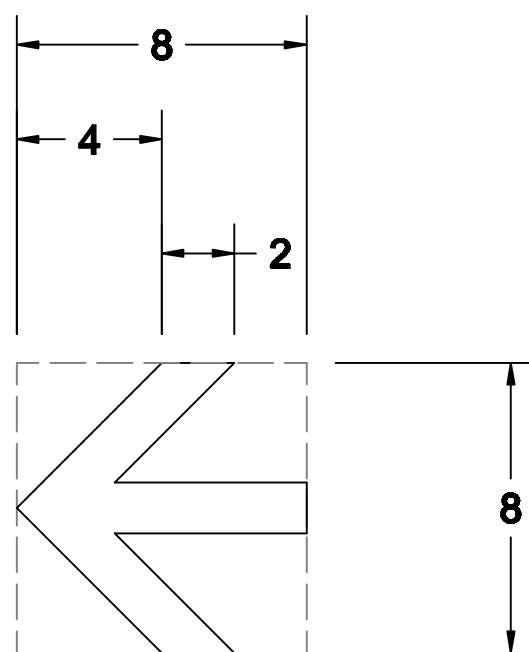
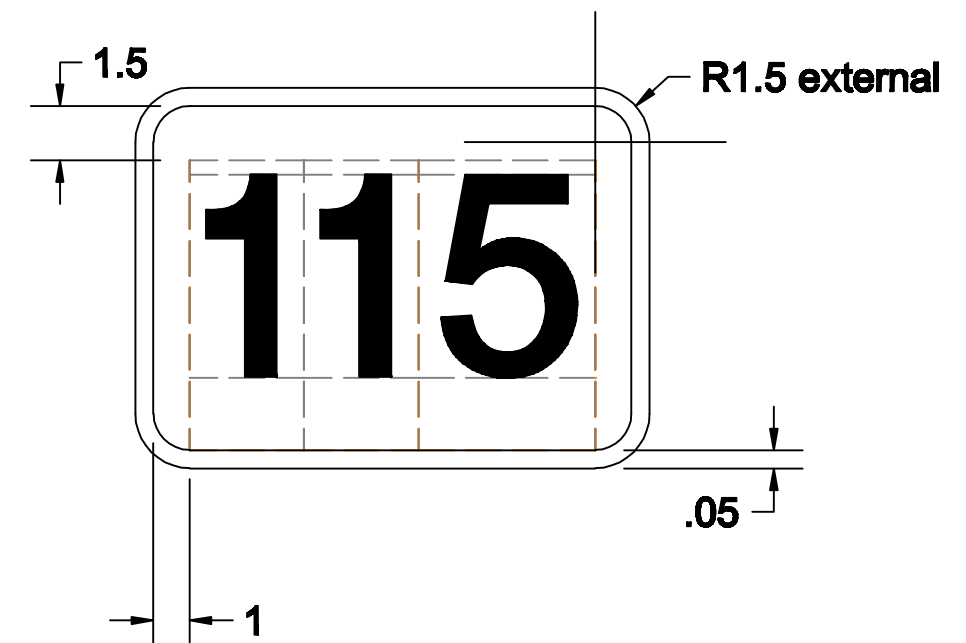


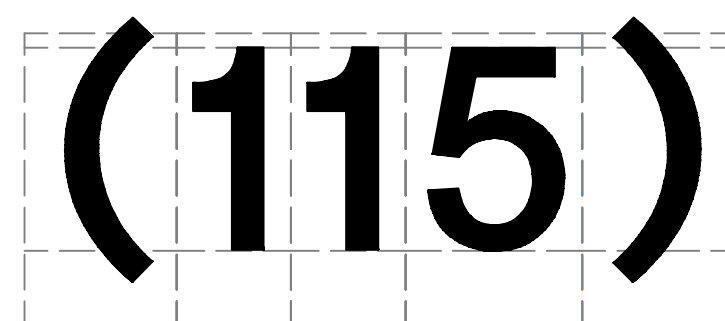
**Directional Arrow - Advance Stack
Type Sign**



**Directional Arrow - Junction
Type Sign**




**Route Number
Type Sign**



**Intermediate Route Number
Type Sign**

Notes:-

1. "x" height : 100mm
2.  virtual tiles
3. All dimensions are in "stroke width" unless indicated otherwise.

Rev :	Remarks :	Drawn :	Date :	Title :
-	Issued drawing.	A.G.	Nov. 2012	