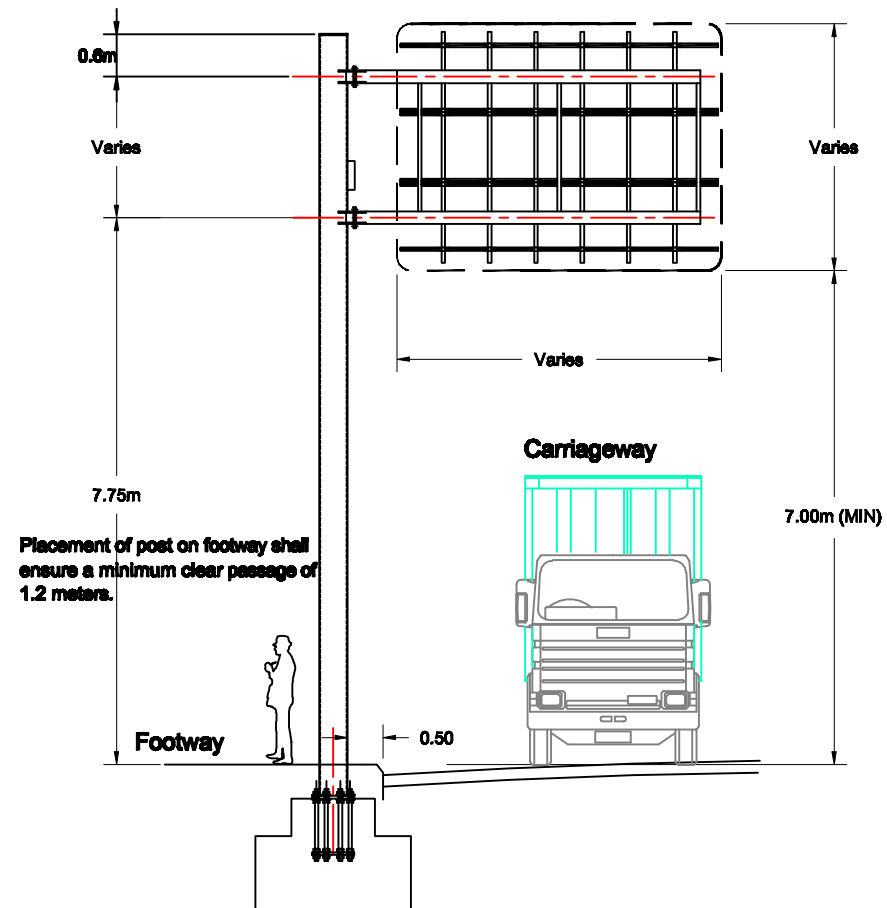
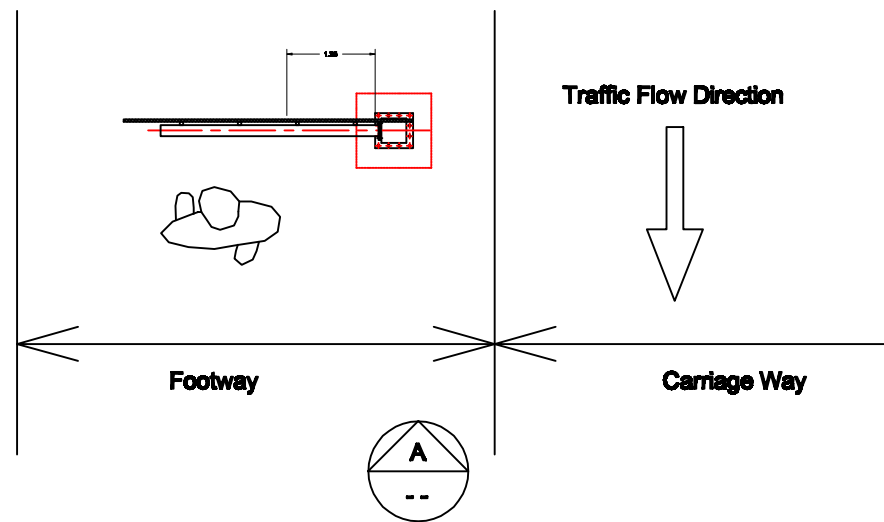


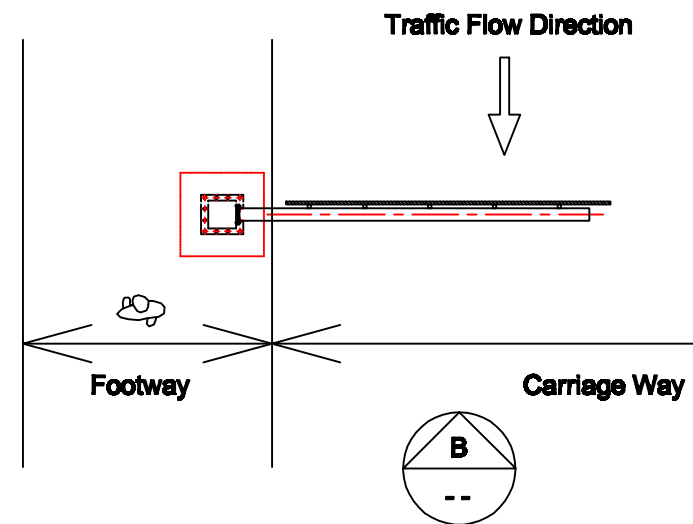
ELEVATION A
N.T.S.



ELEVATION B
N.T.S.



GANTRY PROJECTED OVER FOOTPATH
N.T.S.



GANTRY PROJECTED OVER CARRIAGEWAY
N.T.S.

Rev :	Remarks :	Drawn :	Date :	Title :
-	Issued drawing.	M.B.	Sept. 2012	