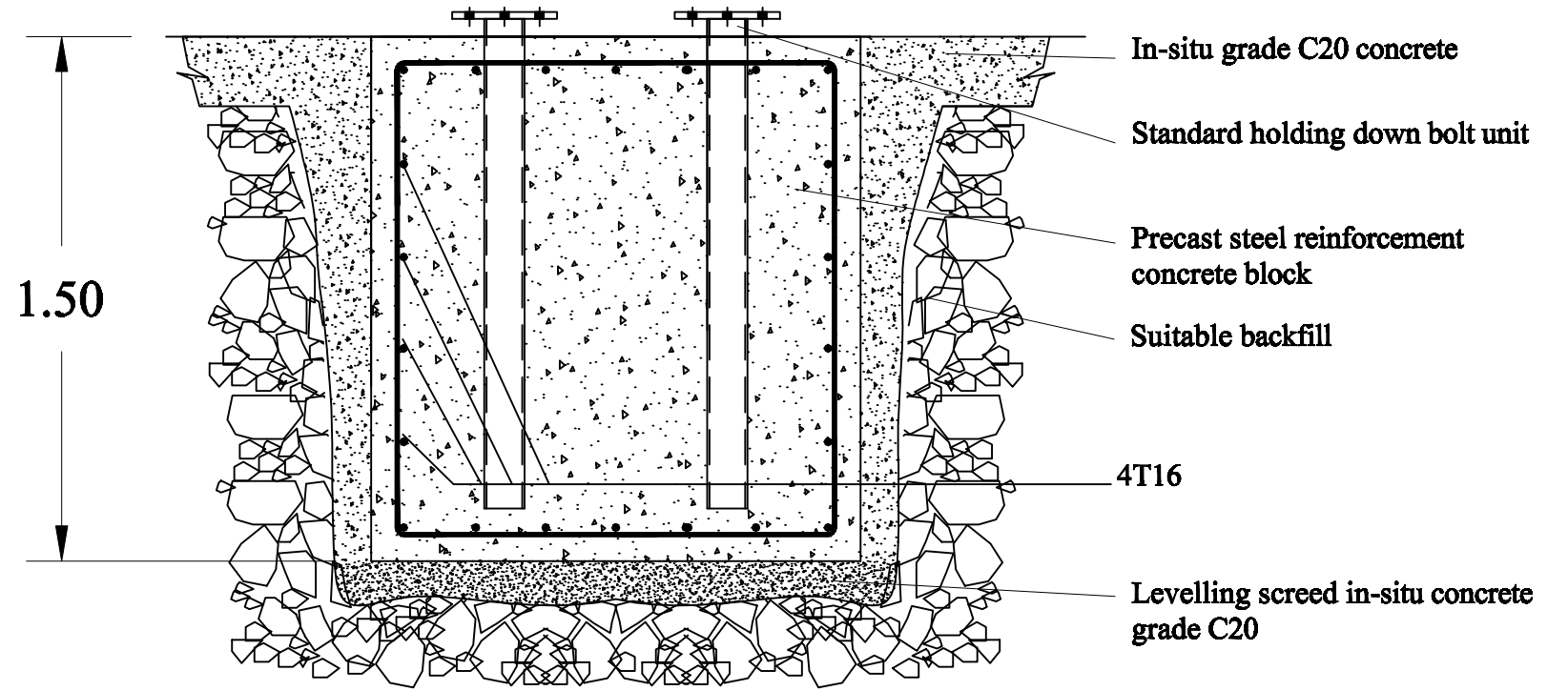
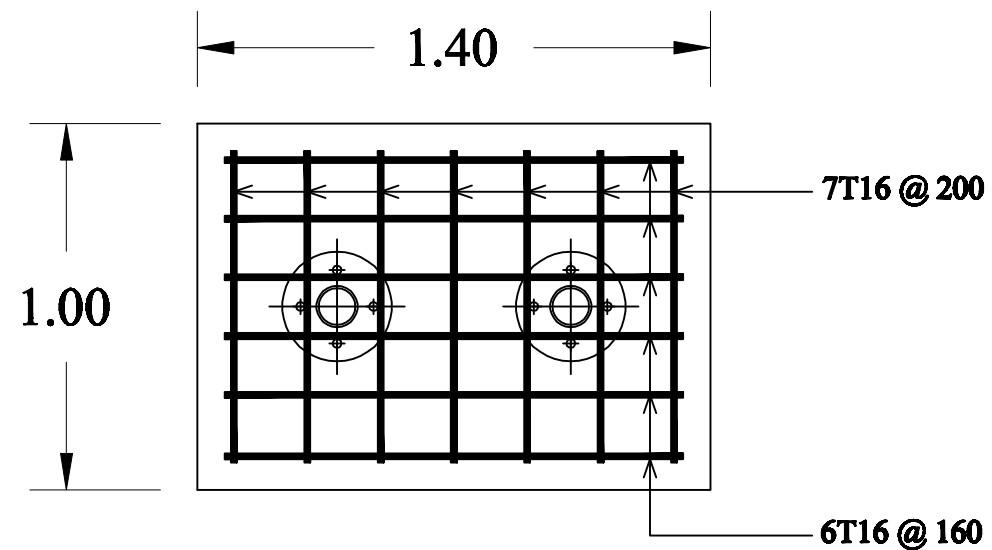


Sectional Elevation



Sectional Elevation



Plan A-A