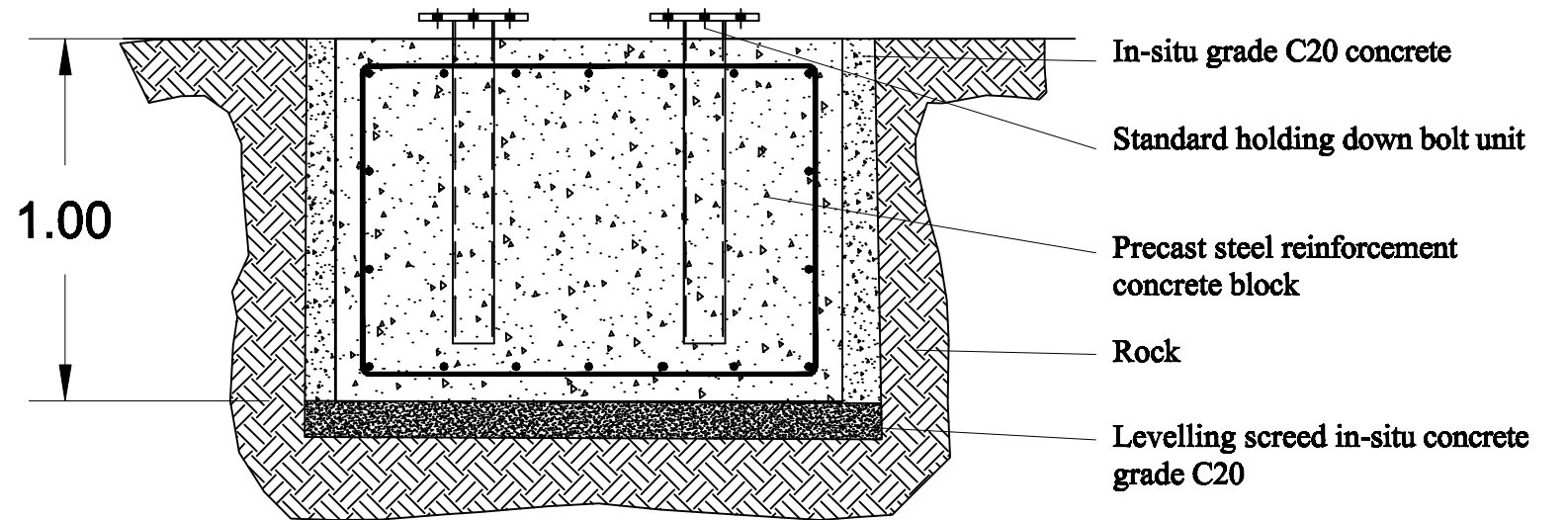
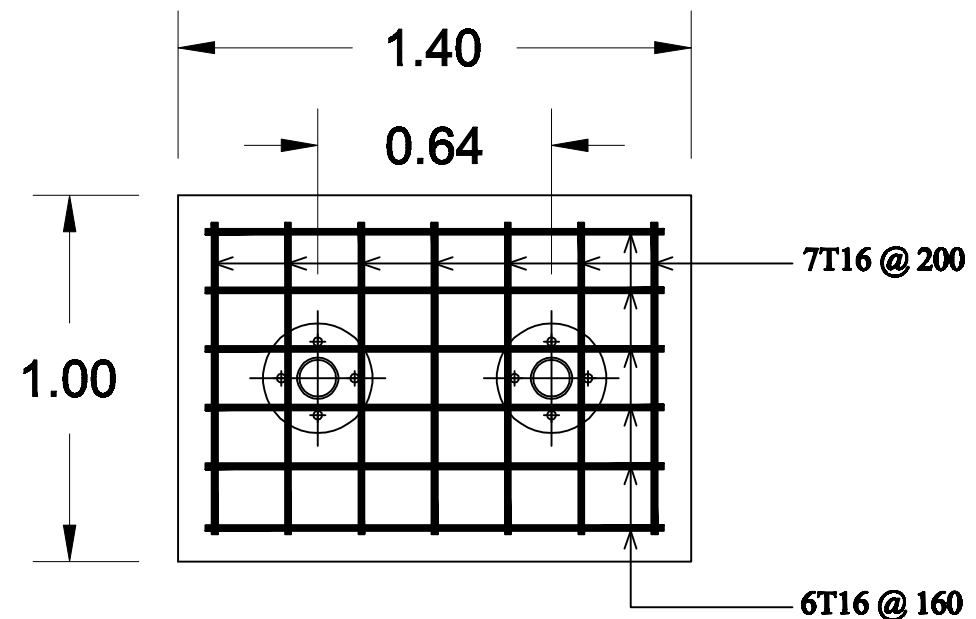


Sectional Elevation



Sectional Elevation



Plan A-A

Rev :	Remarks :	Drawn :	Date :	Title :
-	Issued drawing.	M.Borg	July 2009	DIRECTIONAL SIGNAGE DOUBLE POLE SET IN CONCRETE BLOCK FOUNDATION 1.4 m. x 1 m. x 1 m. HIGH
A	Change Logo to TM		March 2010	