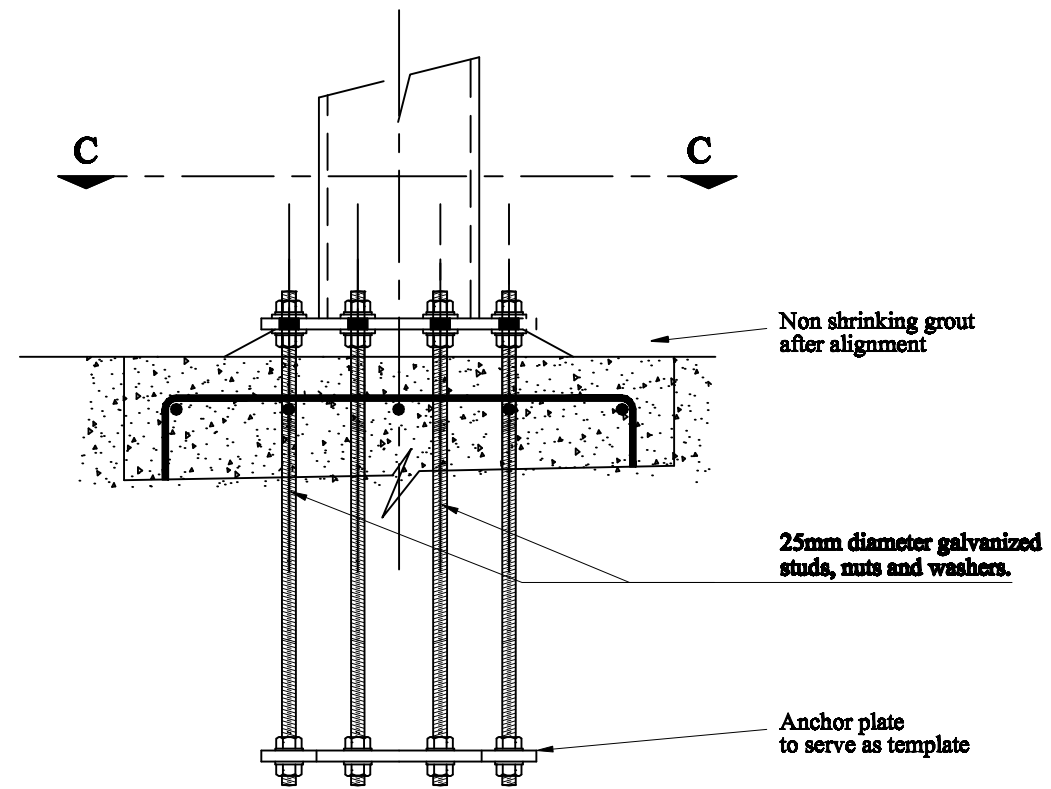
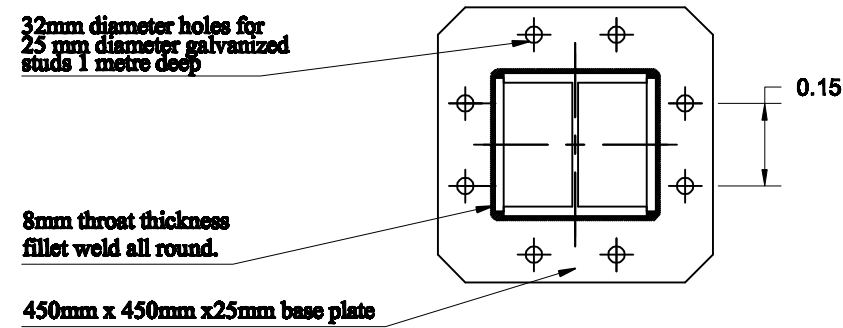


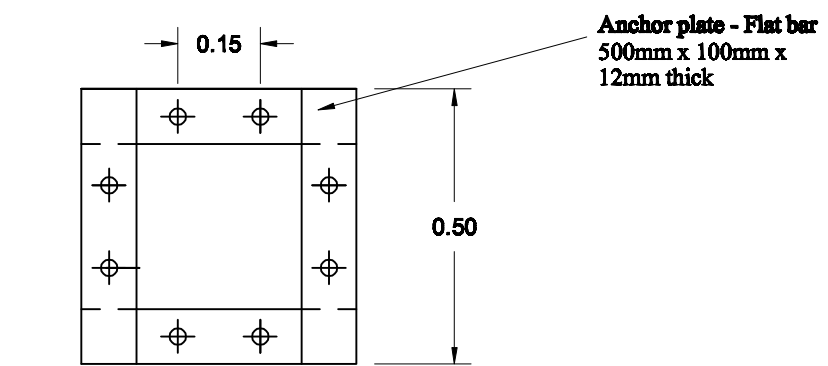
**Sectional Elevation**



**Elevation**



**Base Plate Detail  
Plan**



**Anchor Plate Detail  
Plan**