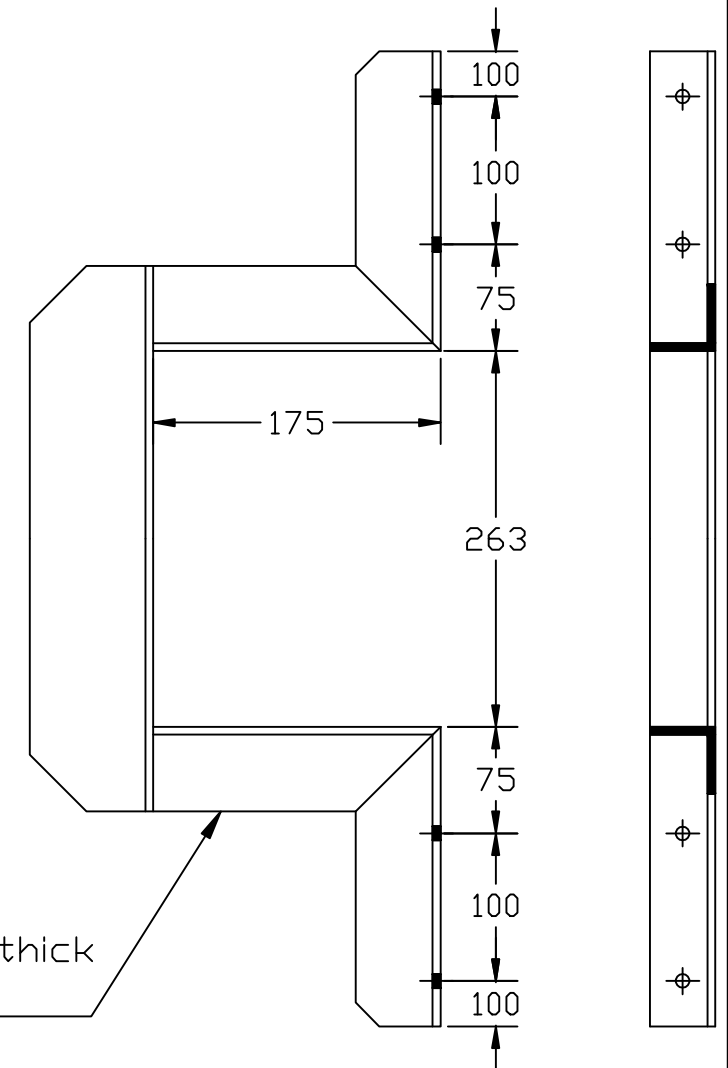


Outer frame 30mm x 6mm thick flat bar with 24 in number 8mm diameter countersunk holes to suite 6mm diameter stainless steel countersunk bolts, nuts and washers.

Outer Frame of Signboard  
(2000mm x 1500mm)



50mm x 50mm x 6mm thick Angle bracket

**This drawing number to be used for more signboard detailing**

Notes:-

All materials to be hot dipped galvanized after fabrication.

| Rev : | Remarks :         | Drawn :     | Date :     | Title :            |
|-------|-------------------|-------------|------------|--------------------|
| A     | Issued drawing.   | E. Farrugia | July 2009  | SIGN FRAME DETAILS |
| B     | Change Logo to TM |             | March 2014 |                    |
|       |                   |             |            |                    |