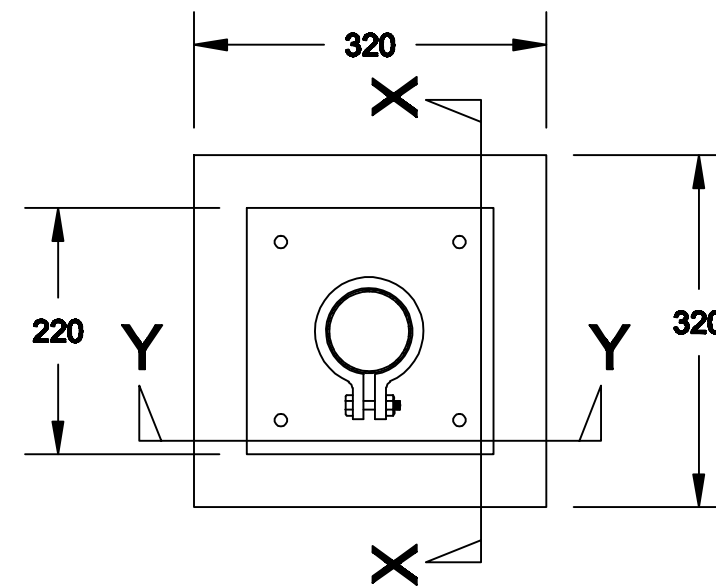
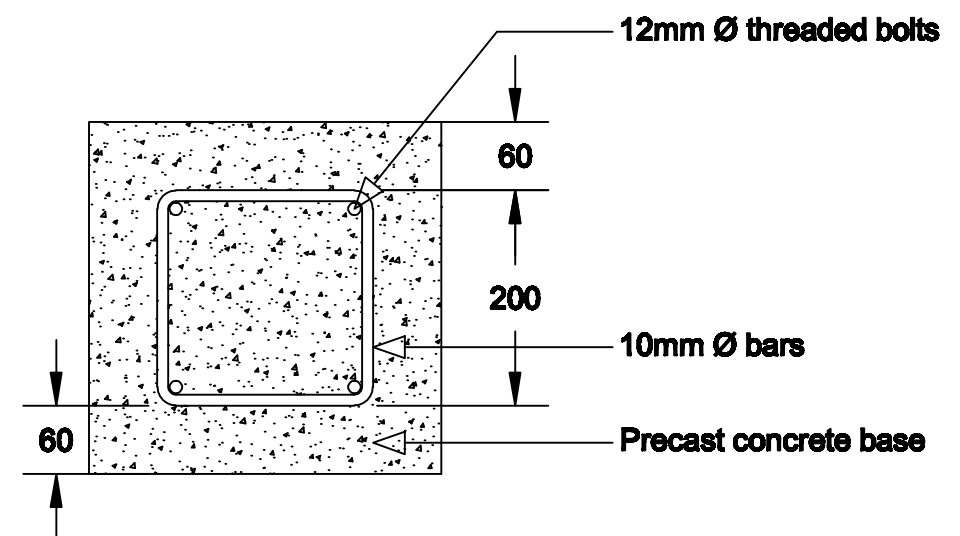


SECTION X-X

SECTION Y-Y



PLAN



SECTION Z-Z

Rev :	Remarks :	Drawn :	Date :	Title :
-	Issued drawing.		Dec. 2003	
A	Change Logo to TM	M.Borg	March 2010	