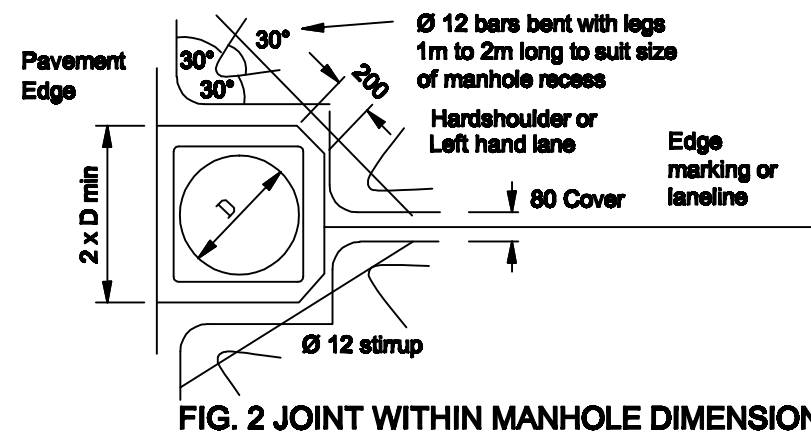
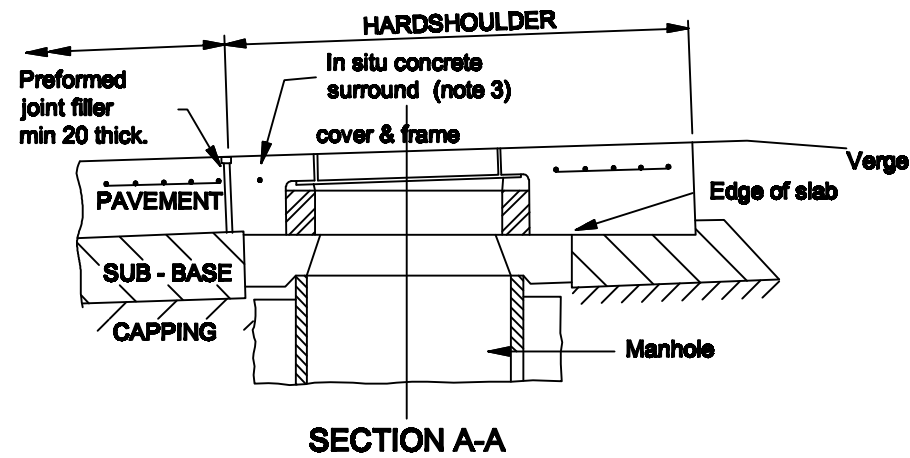


NOTES

1. ALL DIMENSIONS ARE IN MILLIMETRES UNLESS STATED OTHERWISE.
2. The overall dimensions of the recess may vary in accordance with the type of manhole and cover used.
3. Concrete surround to be Grace C40.
4. All reinforcement to be grade 250 bars to BS 4449 and firmly fixed at all bar intersections or fabric to BS 4483. Cover to bars to be 60 ± 10 vertically and 80 ± 10 horizontally.
5. Normal joint spacings may be adjusted by up to 1m so that the manhole is astride or adjacent to the joint as shown in figs 1 & 2. If this is not possible an extra joint shall be formed in that lane at the manhole position as in fig 3. and that joint shall be a warping joint.
6. The manhole slab shall be isolated from the pavement by joint filler board at all joints, without dowels or tie bars, and the joint shall be sealed.
7. For manhole details see F series.



Separate slab.
No dowels or tie bars in transverse joints.

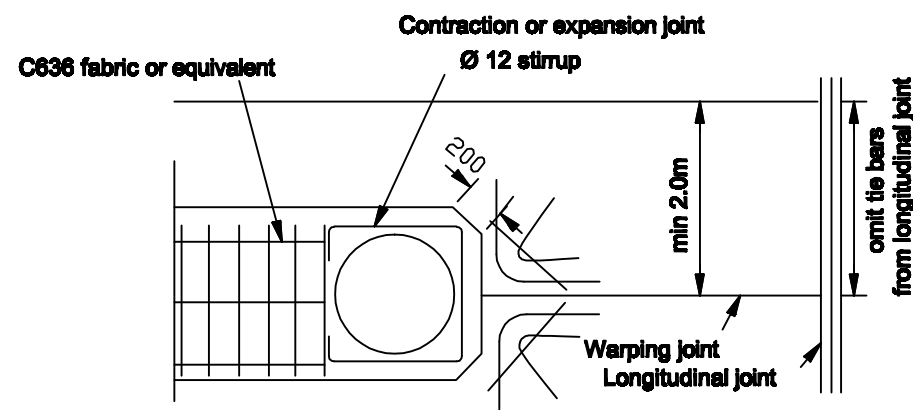
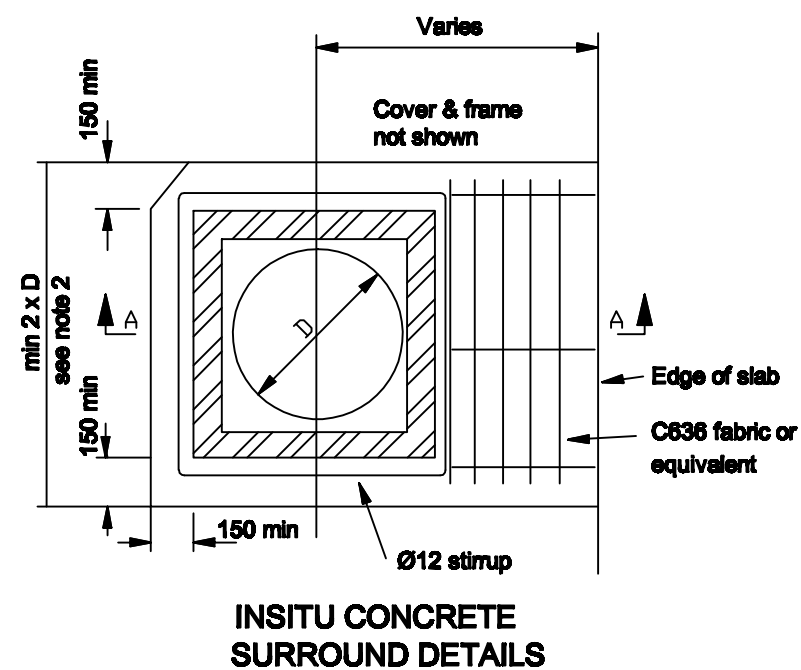
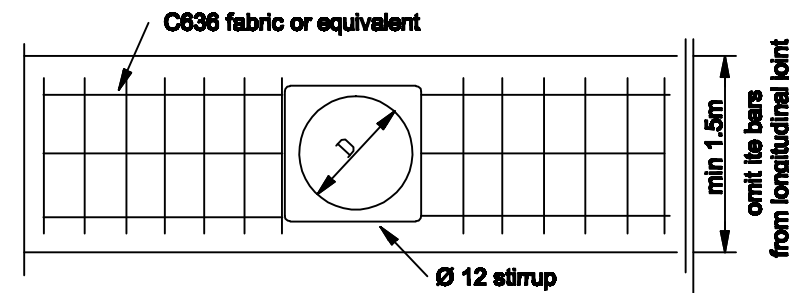


FIG 3. EXTRA JOINT AT MANHOLE POSITION TO BE A WARPING JOINT

Rev :	Remarks :	Drawn :	Date :	Title :
A	Issued drawing.		March 2003	
B	Change Logo to TM	E. Farrugia	March 2014	