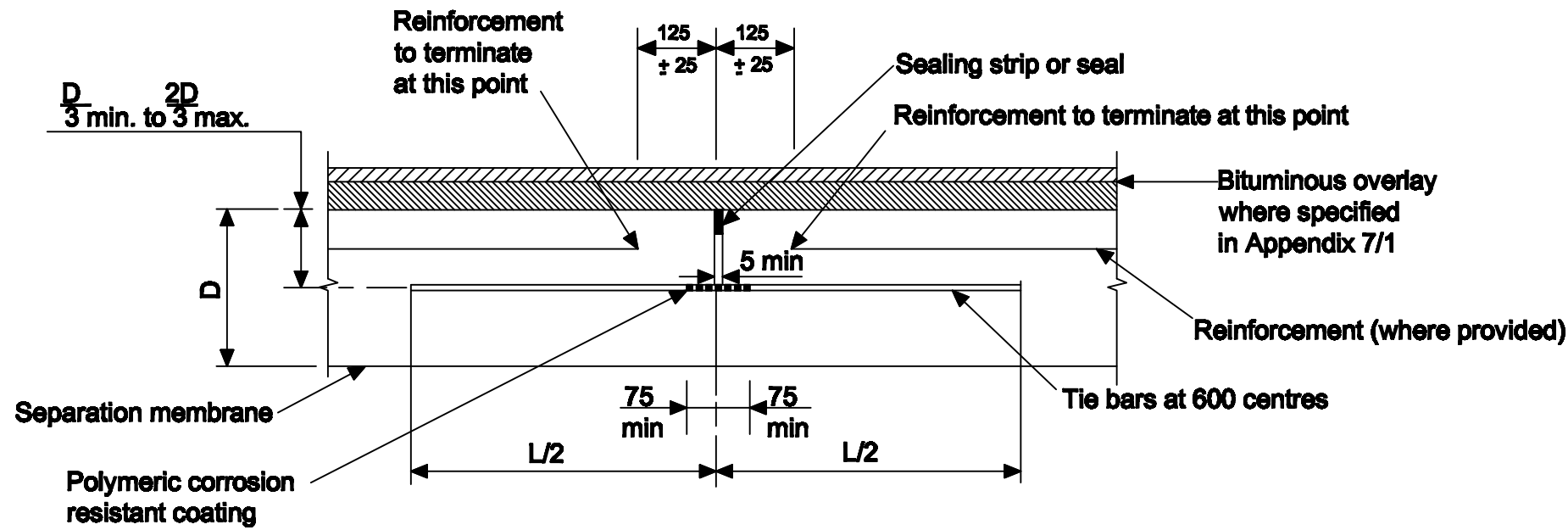
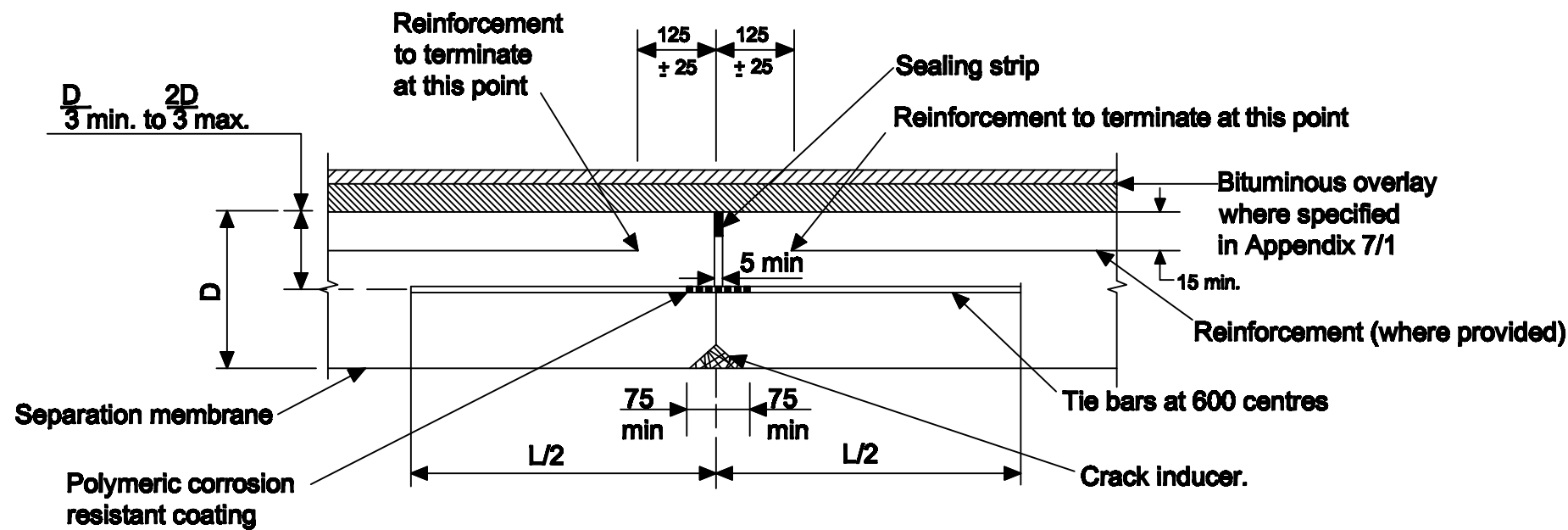


NOTES
 1. ALL DIMENSIONS ARE IN MILLIMETRES.



TYPE 1
 Longitudinal construction joint between two separately constructed unreinforced or jointed reinforced slabs



TYPE 2
 Wet formed longitudinal joint for slabs more than one lane width constructed in one operation

TIE BARS		
Dia	Length L	Grade BS 4449
12	1000	250
12	750	460
16	600	460
20	500	460